

MATERIAL/FINISH PROPERTIES

MECHANICAL/ELECTRICAL PROPERTIES

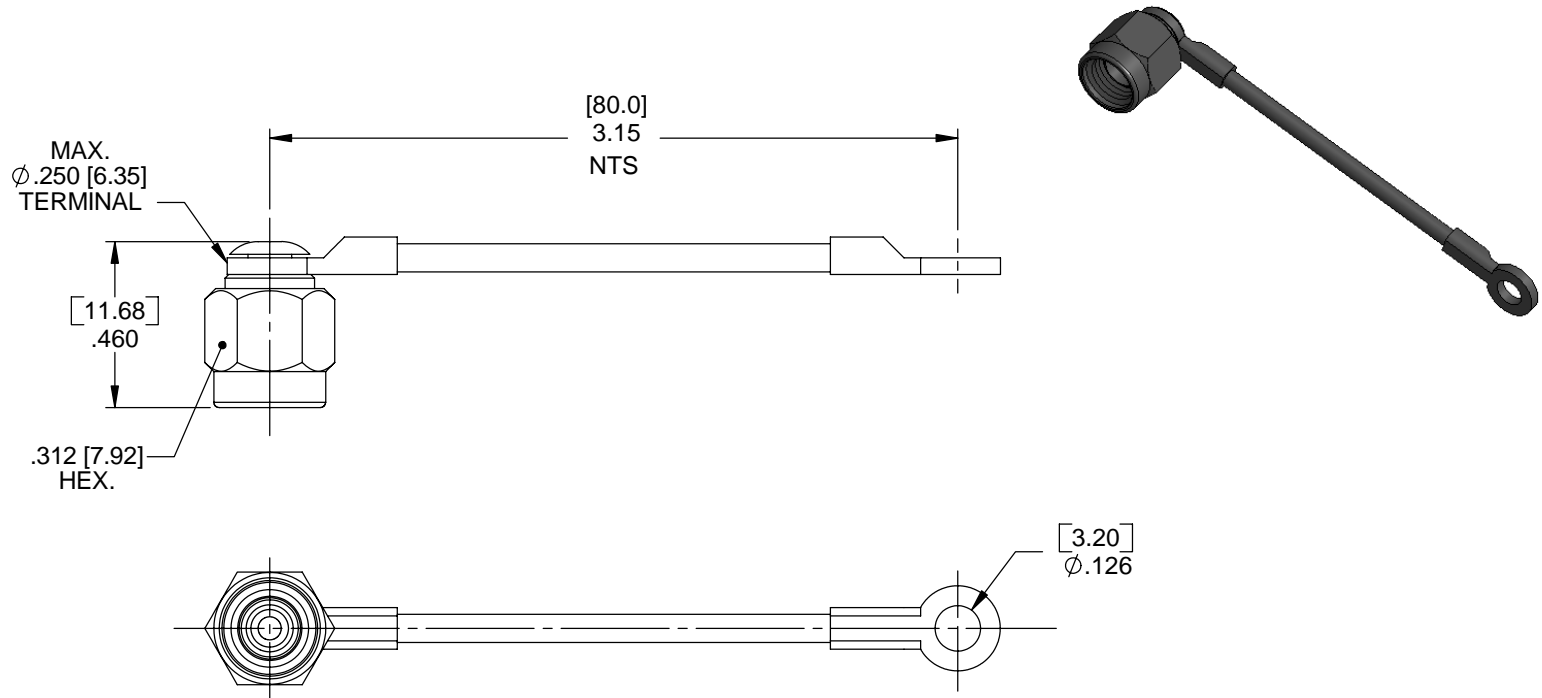
MATERIAL PROPERTIES:

BODY: BRASS PER ASTM B16 OR EQUIVALENT
GASKET: SILICONE RUBBER, GRADE 50-60 OR EQUIVALENT

PLATING PROPERTIES:

BODY: .000200 MIN. MATTE, NON-REFLECTIVE, BLACK ZINC

CONNECTOR MEETS: MIL-STD-348 FIG. 310-1, MIL-PRF-39012
ASSEMBLY MEETS: RoHS 2002/95/EC STANDARDS
CONNECTOR DURABILITY: 250 CYCLES MIN.
IMPEDANCE: N/A
FREQUENCY RANGE: N/A
VOLTAGE RATING: N/A
INSULATION RESISTANCE: N/A



Intelliconnect, Ltd.
A New Type of Connector Company

UNLESS OTHERWISE SPECIFIED

ALL DIMENSIONS ARE REFERENCE
X.XXX DIM'S = INCHES * [X.XX] DIM'S = MILLIMETERS
SURFACE FINISH: 63 MICRO MAX.
ALL DIAMETERS TO BE CONCENTRIC WITHIN .005 F.I.M.

TITLE: SMA DUST CAP PLUG WITH CORD

MATERIAL & FINISH: PER TABLE ABOVE

DRAWN BY: SRS	CHECK BY: PCS	APPR. BY: TLB
DATE: 05/07/08	DATE: 05/07/08	DATE: 05/07/08

DO NOT SCALE DRAWING	SCALE 2:1	SIZE A	REV A
-----------------------------	---------------------	------------------	-----------------

SALES DRAWING	PART NO. 0140-P1CH-000-100Z	SHEET 1 OF 1
----------------------	---------------------------------------	------------------------

A	NPR 520	TLB	05/07/08
REV	DESCRIPTION	APPR	DATE