

**MATERIAL/FINISH PROPERTIES**

**MECHANICAL/ELECTRICAL PROPERTIES**

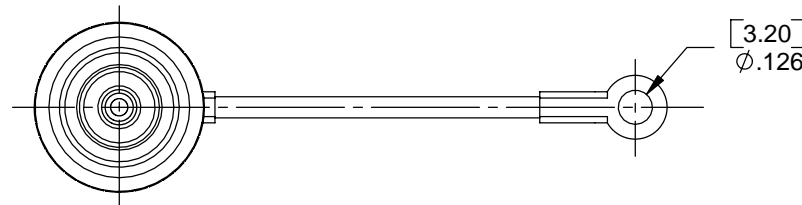
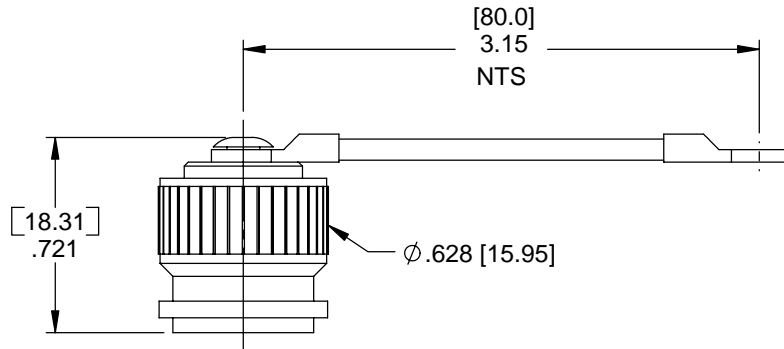
**MATERIAL PROPERTIES:**

BODY: BRASS PER ASTM B16 OR EQUIVALENT  
GASKET: SILICONE RUBBER, GRADE 50-60 OR EQUIVALENT

**PLATING PROPERTIES:**

BODY: .000200 MIN. MATTE, NON-REFLECTIVE, BLACK ZINC

CONNECTOR MEETS: MIL-STD-348 FIG. 313-1, MIL-PRF-39012  
ASSEMBLY MEETS: RoHS 2002/95/EC STANDARDS  
CONNECTOR DURABILITY: 500 CYCLES MIN.  
IMPEDANCE: N/A  
FREQUENCY RANGE: N/A  
VOLTAGE RATING: N/A  
INSULATION RESISTANCE: N/A



***Intelliconnect, Ltd.***  
*A New Type of Connector Company*

**UNLESS OTHERWISE SPECIFIED**

ALL DIMENSIONS ARE REFERENCE  
X.XXX DIM'S = INCHES \* [X.XX] DIM'S = MILLIMETERS  
SURFACE FINISH: 63 MICRO MAX.  
ALL DIAMETERS TO BE CONCENTRIC WITHIN .005 F.I.M.

TITLE: TNC DUST CAP PLUG WITH CORD

MATERIAL & FINISH: PER TABLE ABOVE

<b>DRAWN BY:</b> SRS DATE: 12/19/06	<b>CHECK BY:</b> PCS DATE: 12/19/06	<b>APPR. BY:</b> TLB DATE: 12/19/06
--	--	--

<b>DO NOT SCALE DRAWING</b>	<b>SCALE</b> 1.5:1	<b>SIZE</b> A	<b>REV</b> D
-----------------------------	-----------------------	------------------	-----------------

<b>SALES DRAWING</b>	<b>PART NO.</b> 5124-P1CH-000-100Z	<b>SHEET</b> 1 OF 1
----------------------	---------------------------------------	------------------------

REV	DESCRIPTION	APPR	DATE
D	ECN 1166	TLB	05/15/07
C	ECN 1163	TLB	04/18/07
B	ECN 1157	TLB	02/15/07
A	NPR 451	TLB	02/13/07