

IntelliConnect

SERIES NIM-CAMAC
(MEDICAL)

GENERAL DESCRIPTION

Miniature High Frequency connectors designed in accordance with NIM-CAMAC CD/N549 standard.

MATERIALS

Bodies & Other Parts: Brass per ASTM B16 or equivalent.
Female Contacts: Beryllium Copper per ASTM B196 or equivalent.
Male Contacts: Brass per ASTM B16 or equivalent.
Insulators (Dielectric): PTFE Fluorocarbon per ASTM D1710 or equivalent.
Gaskets: Silicone Rubber per AA59588 or equivalent.

ELECTRICAL

Impedance: 50 Ohms Nominal
Frequency Range: DC-4 GHz
Insulation Resistance: 10,000 Megohms min.
Voltage Rating: 500 VRMS
Dielectric Withstanding: 3,000 VRMS at sea level
Voltage Standing Wave Ratio (VSWR): 1.30 max.
Contact Resistance:
 Outer Contact: 3.0 Milliohms
 Center Contact: 3.0 Milliohms

ENVIRONMENTAL

Temperature rating: -65°C to +155°C

PLATING OPTIONS

Gold: Per MIL-G-45204, Type II, Grade C
Nickel: Per QQ-N-290, Class II
Silver: Per QQ-S-365, Type II, Grade A

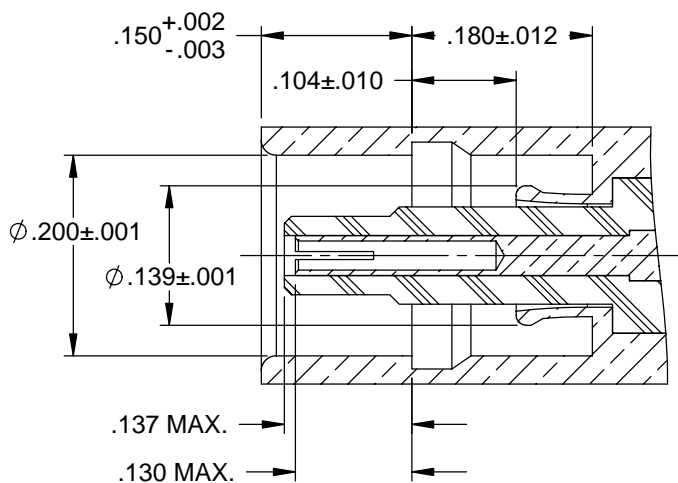
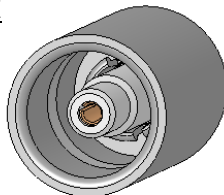
MECHANICAL

Force to Engage and Disengage:
 Engagement: 0.5 lbs nominal
 Disengagement: 1.0 lbs nominal
Mating Cycles: 3,000 min.

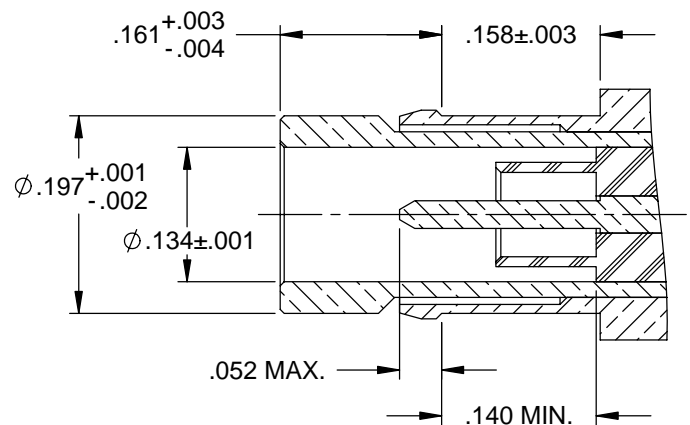
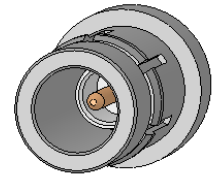
DESIGN IN ACCORDANCE WITH

NIM-CAMAC CD/N549
INTELLICONNECT: ES101, ES103, ES104

JACK INTERFACE
(FEMALE CONTACT)



PLUG INTERFACE
(MALE CONTACT)



All dimensions shown are in inches and [millimeters]. Technical data provided herein is subject to change without notice.
Reproduction of the illustrations and specifications herein are prohibited except for IntelliConnect customers.