

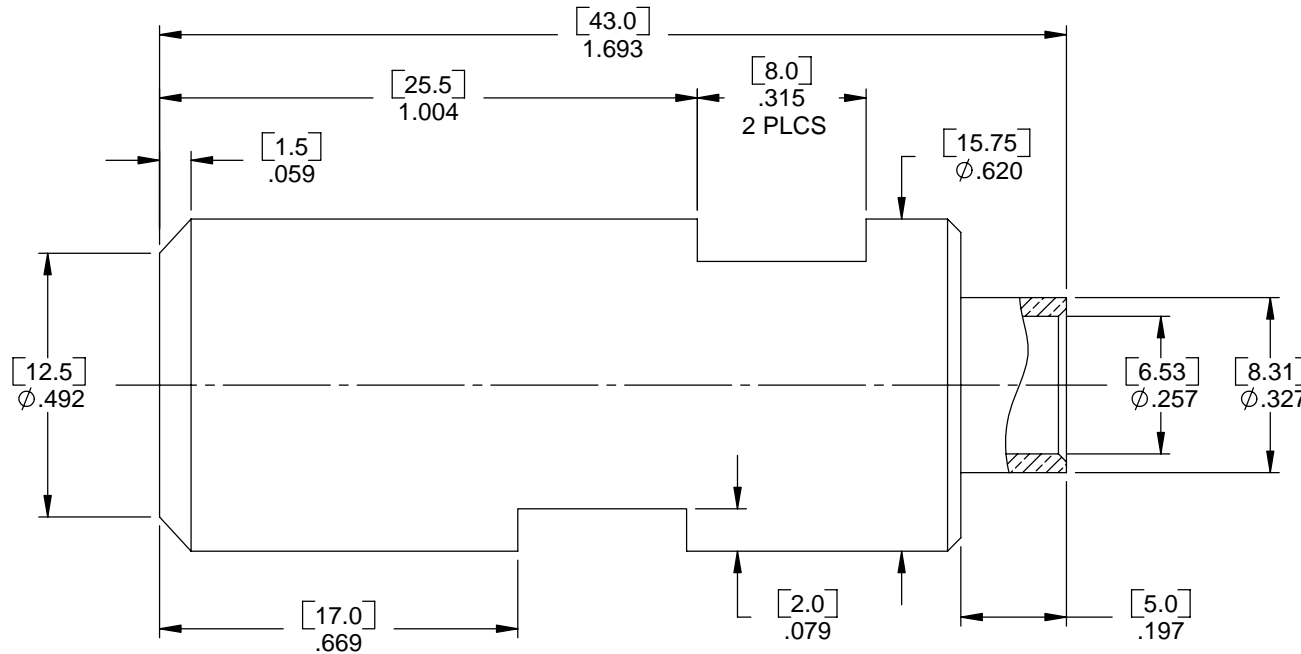
MATERIAL/FINISH PROPERTIES

MATERIAL PROPERTIES:
 BODY: BRASS PER ASTM B16 OR EQUIVALENT
 CONTACT: BERYLLIUM COPPER PER ASTM B196 OR EQUIVALENT
 INSULATORS: PTFE PER ASTM D1710 OR EQUIVALENT

PLATING PROPERTIES:
 BODY: TRI-M3 (WHITE BRONZE)
 CONTACT: .000030 MIN. GOLD PER MIL-G-45204 OVER
 .000050 MIN. NICKEL PER QQ-N-290

MECHANICAL/ELECTRICAL PROPERTIES

CONNECTOR MEETS: MIL-STD-348 FIG. 304-2, MIL-PRF-39012
 CONNECTOR MEETS: RoHS 2002/95/EC STANDARDS
 CONNECTOR DURABILITY: 500 CYCLES MIN.
 CABLE: RG401 (.250 S/R)
 ASSEMBLY INSTRUCTIONS: AI124
 IMPEDANCE: 50 OHMS NOMINAL
 FREQUENCY RANGE: DC-11 GHz
 VOLTAGE RATING: 500 VRMS
 INSULATION RESISTANCE: 5,000 MEGOHMS
 DIELECTRIC WITHSTANDING VOLTAGE: 1,000 VRMS



NOTES: 1. CENTER CONTACT IS SHIPPED UNASSEMBLED

Intelliconnect, Ltd.
A New Type of Connector Company

UNLESS OTHERWISE SPECIFIED

ALL DIMENSIONS ARE REFERENCE
 X.XXX DIM'S = INCHES * [X.XX] DIM'S = MILLIMETERS
 SURFACE FINISH: 63 MICRO MAX.
 ALL DIAMETERS TO BE CONCENTRIC WITHIN .005 F.I.M.

TITLE: N-TYPE SPECIAL PUSH-ON CABLED JACK

MATERIAL & FINISH: PER TABLE ABOVE

DRAWN BY: TLB	CHECK BY: PCS	APPR. BY: SRS
DATE: 07/25/02	DATE: 07/25/02	DATE: 07/25/02

DO NOT SCALE DRAWING	SCALE	SIZE	REV
	3:1	A	D

SALES DRAWING	PART NO. 5125-J1NN-122-101N	SHEET 1 OF 1
---------------	--------------------------------	-----------------

REV	DESCRIPTION	APPR	DATE
D	ECN 1197	TLB	05/01/08
C	ECN 1155	TLB	01/09/07
B	ECN 1055	SRS	04/29/03