

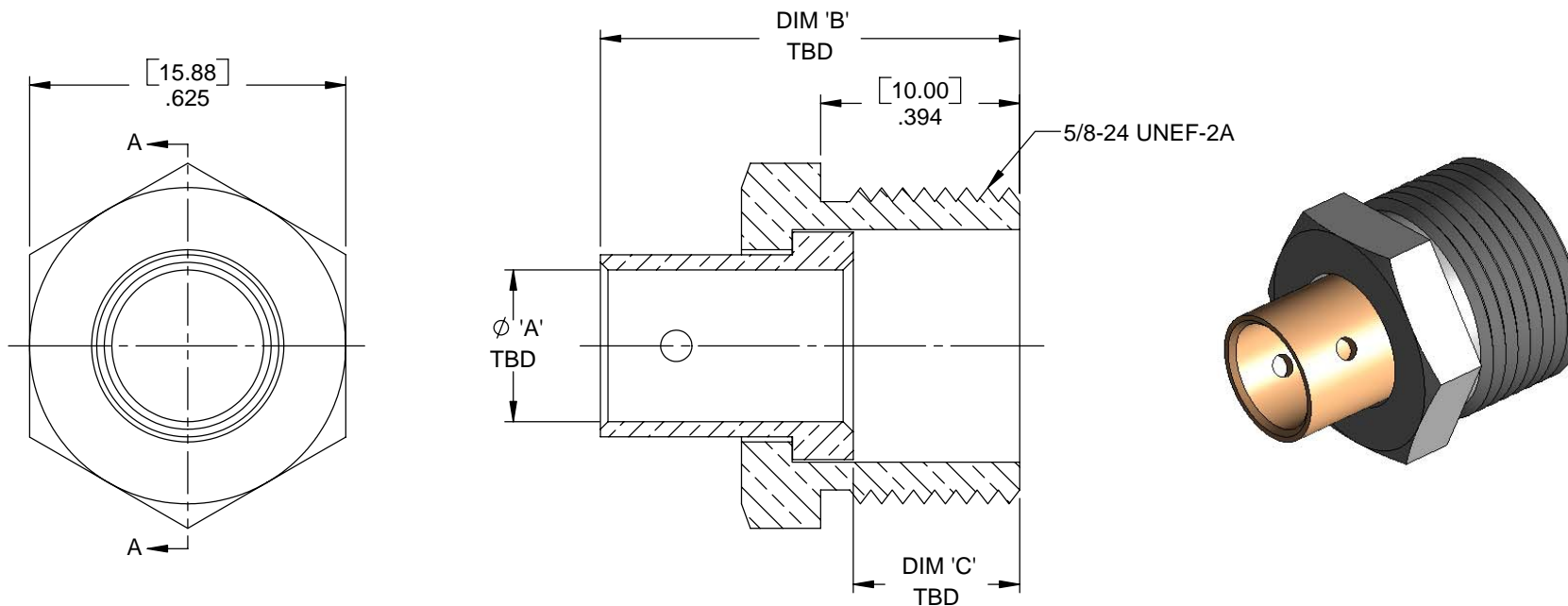
MATERIAL/FINISH PROPERTIES

MATERIAL PROPERTIES:
 CABLE FERRULE: BRASS PER ASTM B16 OR EQUIVALENT
 NUT: STAINLESS STEEL PER ASTM A582 OR EQUIVALENT

PLATING PROPERTIES:
 CABLE FERRULE: .000030 MIN. GOLD PER MIL-G-45204 OVER
 .000050 MIN. NICKEL PER QQ-N-290
 NUT: PASSIVATE PER QQ-P-35, TYPE II

MECHANICAL/ELECTRICAL PROPERTIES

CONNECTOR MEETS: RoHS 2002/95/EC STANDARDS
 CABLE: TBD (2801 OR 4806)
 ASSEMBLY INSTRUCTIONS: AI257
 IMPEDANCE: N/A
 FREQUENCY RANGE: N/A
 VOLTAGE RATING: N/A
 INSULATION RESISTANCE: N/A



SECTION A-A

1	NPR 518	TLB	04/30/08
REV	DESCRIPTION	APPR	DATE

Intelliconnect, Ltd.
A New Type of Connector Company

UNLESS OTHERWISE SPECIFIED
 ALL DIMENSIONS ARE REFERENCE
 X.XXX DIM'S = INCHES * [X.XX] DIM'S = MILLIMETERS
 SURFACE FINISH: 63 MICRO MAX.
 ALL DIAMETERS TO BE CONCENTRIC WITHIN .005 F.I.M.

TITLE: SPECIAL NUT ASSEMBLY

MATERIAL & FINISH: PER TABLE ABOVE

DRAWN BY: SRS	CHECK BY: PCS	APPR. BY: TLB
DATE: 04/30/08	DATE: 04/30/08	DATE: 04/30/08

DO NOT SCALE DRAWING	SCALE 3:1	SIZE A	REV 1
----------------------	-----------	--------	-------

SALES DRAWING	PART NO. S1038Z	SHEET 1 OF 1
---------------	-----------------	--------------