

MATERIAL/FINISH PROPERTIES

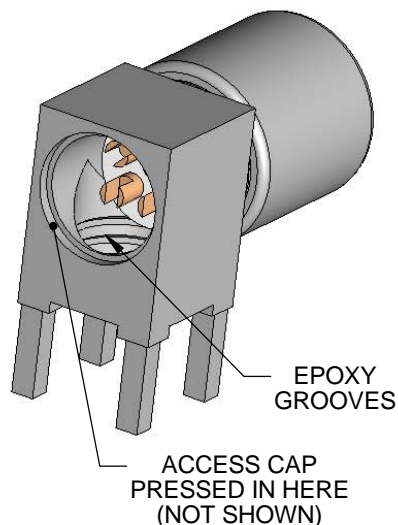
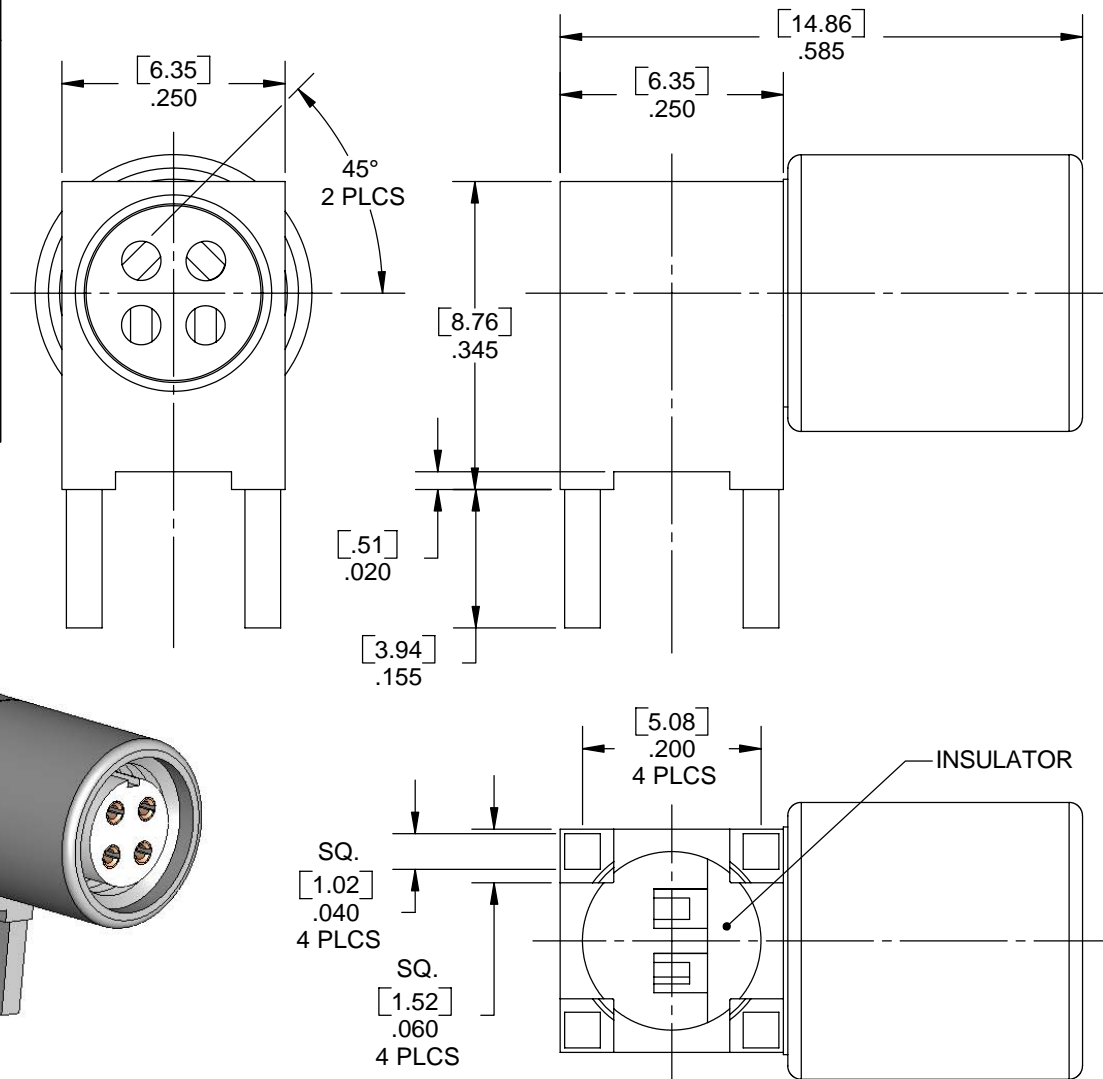
MATERIAL PROPERTIES:

BODY: BRASS PER ASTM B16 OR EQUIVALENT
 CONTACTS: BERYLLIUM COPPER PER ASTM B196 OR EQUIVALENT
 INSULATOR: DELRIN PER ASTM D4181 OR EQUIVALENT
 GASKET: SILICONE RUBBER PER ZZ-R-765 OR EQUIVALENT

PLATING PROPERTIES:

BODY: .000100 MIN. NICKEL PER QQ-N-290
 CONTACTS: .000030 MIN. GOLD PER MIL-G-45204 OVER .000050 MIN. NICKEL PER QQ-N-290

CONNECTOR MEETS: RoHS 2002/95/EC STANDARDS



1	NPR 311	TLB	04/26/04
REV	DESCRIPTION	APPR	DATE

Intelliconnect, Ltd.
A New Type of Connector Company

UNLESS OTHERWISE SPECIFIED

ALL DIMENSIONS ARE REFERENCE
 X.XXX DIM'S = INCHES * [X.XX] DIM'S = MILLIMETERS
 SURFACE FINISH: 63 MICRO MAX.
 ALL DIAMETERS TO BE CONCENTRIC WITHIN .005 F.I.M.

TITLE: SPECIAL PCB RIGHT ANGLE 4 PIN PLUG

MATERIAL & FINISH: PER TABLE ABOVE

DRAWN BY: SRS	CHECK BY: PCS	APPR. BY: TLB
DATE: 04/26/04	DATE: 04/26/04	DATE: 04/26/04

DO NOT SCALE DRAWING	SCALE	SIZE	REV
	5:1	A	1

SALES DRAWING	PART NO. S1022N	SHEET 1 OF 1
---------------	-----------------	--------------