

# IntelliConnect

SERIES NIM-CAMAC  
(WATERPROOF)

## GENERAL DESCRIPTION

Miniature High Frequency Waterproof connectors designed in accordance with NIM-CAMAC CD/N549 standard.

## MATERIALS

Bodies & Other Parts: Brass per ASTM B16 or equivalent.  
Female Contacts: Beryllium Copper per ASTM B196 or equivalent.  
Male Contacts: Brass per ASTM B16 or equivalent.  
Insulators (Dielectric): PTFE Fluorocarbon per ASTM D1710 or equivalent.  
Gaskets: Silicone Rubber per AA59588 or equivalent.

## ELECTRICAL

Impedance: 50 Ohms Nominal  
Frequency Range: DC-4 GHz  
Insulation Resistance: 10,000 Megohms min.  
Voltage Rating: 500 VRMS  
Dielectric Withstanding: 3,000 VRMS at sea level  
Voltage Standing Wave Ratio (VSWR): 1.30 max.  
Contact Resistance:  
Outer Contact: 3.0 Milliohms  
Center Contact: 3.0 Milliohms

## ENVIRONMENTAL

Waterproofing: Meets IP68 per IEC 60529, tested to a 10 meter water depth in an unmated condition for a duration of 4 hours.  
Temperature rating: -65°C to +155°C

## PLATING OPTIONS

Gold: Per MIL-G-45204, Type II, Grade C  
Nickel: Per QQ-N-290, Class II  
Silver: Per QQ-S-365, Type II, Grade A

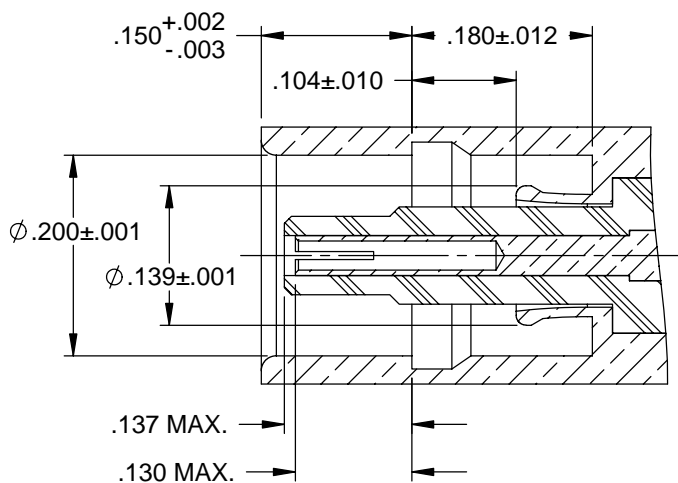
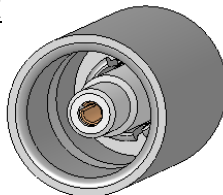
## MECHANICAL

Force to Engage and Disengage:  
Engagement: 0.5 lbs nominal  
Disengagement: 1.0 lbs nominal  
Mating Cycles: 3,000 min.

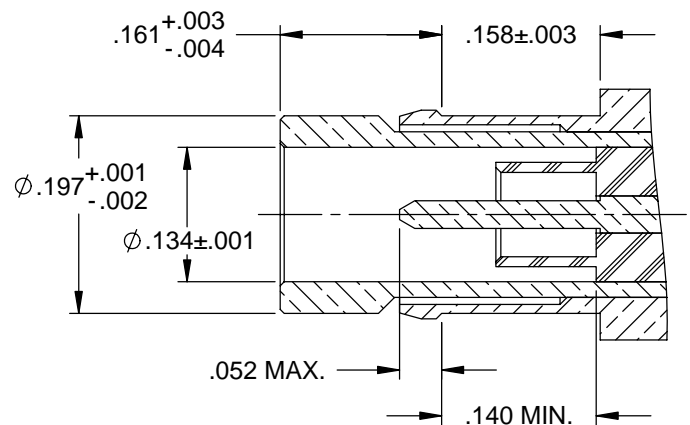
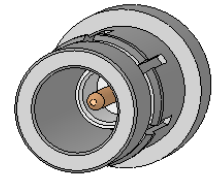
## DESIGN IN ACCORDANCE WITH

NIM-CAMAC CD/N549  
INTELLICONNECT: ES101, ES103, ES104

JACK INTERFACE  
(FEMALE CONTACT)



PLUG INTERFACE  
(MALE CONTACT)



All dimensions shown are in inches and [millimeters]. Technical data provided herein is subject to change without notice.  
Reproduction of the illustrations and specifications herein are prohibited except for IntelliConnect customers.