

### GENERAL DESCRIPTION

This medium, light weight size connector series has a weatherproof screw locking mechanism. This series is used with small and medium size cables. The TNC series also accommodates various PCB, flange and bulkhead configurations. They are generally used in applications up to 12 Ghz.

### MATERIALS

Bodies & Other Parts: Brass per ASTM B16 or equivalent.  
 Female Contacts: Beryllium Copper per ASTM B196 or equivalent.  
 Male Contacts: Brass per ASTM B16 or equivalent.  
 Insulators (Dielectric): PTFE Fluorocarbon per ASTM D1710 or equivalent.  
 Gaskets: Silicone rubber per ZZ-R-765, Class II, Grade 50.

### ELECTRICAL

Impedance: 50 Ohms Nominal  
 Frequency Range: DC-12 GHz  
 Insulation Resistance: 5,000 Megohms min.  
 Voltage Rating: 500 VRMS  
 Dielectric Withstanding: 1,500 VRMS at sea level  
 Voltage Standing Wave Ratio (VSWR): 1.07 max.  
 Contact Resistance:  
     Outer Contact: 0.2 Milliohms  
     Center Contact: 1.5 Milliohms

### ENVIRONMENTAL

Waterproofing: Meets IP67 per IEC 60529, tested to a 10 meter water depth in an unmated condition for a duration of 4 hours.  
 Temperature rating: -65°C to +165°C  
 Vibration: MIL-STD-202, Method 204  
 Shock: MIL-STD-202, Method 213  
 Thermal Shock: MIL-STD-202, Method 107  
 Corrosion (Salt Spray): MIL-STD-202, Method 101  
 Moisture Resistance: MIL-STD-202, Method 106

### PLATING OPTIONS

Gold: Per MIL-G-45204, Type II, Grade C  
 Nickel: Per QQ-N-290, Class II  
 Silver: Per QQ-S-365, Type II, Grade A

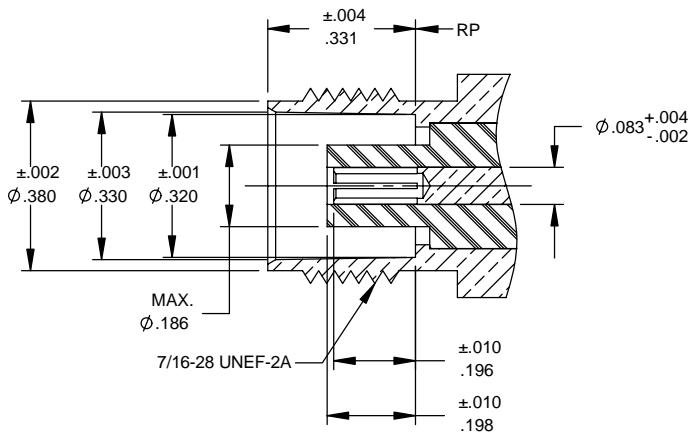
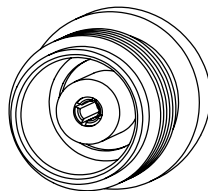
### MECHANICAL

Force to Engage and Disengage: 2 in-lbs. max.  
 Coupling Proof Torque: 30 in-lbs. min.  
 Coupling Nut Retention Force: 100 lbs. Min.  
 Mating Cycles: 500 min.

### DESIGN IN ACCORDANCE WITH

US MIL-PRF-39012, MIL-STD-348  
 IEC: 169-8  
 INTELLICONNECT: ES101, ES103

**JACK INTERFACE**  
(FEMALE CONTACT)



**PLUG INTERFACE**  
(MALE CONTACT)

