

### GENERAL DESCRIPTION

The SMB 75 ohm (Type 43) is a miniature connector series designed to be compatible with the small, flexible cable series such as RG59, RG179 and BT200X. This series is extensively used in 75 ohm communication systems and has become the widely accepted standard in telecommunications. In addition, other connectors in the series can accommodate PCB, surface, press fit and bulkhead configurations. This series is designed with "snap-on", "posi-lock" and "screw-lock" mechanisms.

### MATERIALS

Bodies & Other Parts: Brass per ASTM B16 or equivalent.  
 Female Contacts: Beryllium Copper per ASTM B196 or equivalent.  
 Male Contacts: Brass per ASTM B16 or equivalent.  
 Insulators (Dielectric): PTFE Fluorocarbon per ASTM D1710 or equivalent.

### PLATING OPTIONS

Gold: Per MIL-G-45204, Type II, Grade C  
 Nickel: Per QQ-N-290, Class II  
 Silver: Per QQ-S-365, Type II, Grade A

### ELECTRICAL

Impedance: 75 Ohms Nominal  
 Frequency Range: DC-4 GHz  
 Insulation Resistance: 1,000 Megohms min.  
 Voltage Rating: 335 VRMS  
 Dielectric Withstanding: 1,000 VRMS at sea level  
 Voltage Standing Wave Ratio (VSWR): 1.30 +.04 (f) GHz max.  
 Contact Resistance:  
     Outer Contact: 1.0 Milliohms  
     Center Contact: 6.0 Milliohms

### MECHANICAL

Force to Engage: 14 lbs. max.  
 Force to Disengage: 2 lbs. min.  
 Mating Cycles: 500 min.

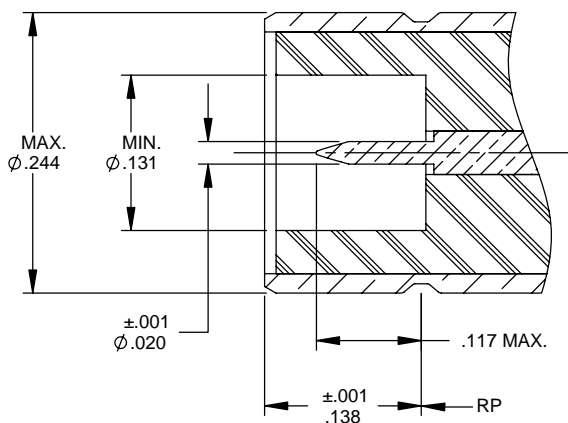
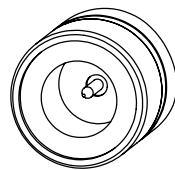
### ENVIRONMENTAL

Temperature rating: -65°C to +165°C  
 Vibration: MIL-STD-202, Method 204  
 Shock: MIL-STD-202, Method 213  
 Thermal Shock: MIL-STD-202, Method 107  
 Corrosion (Salt Spray): MIL-STD-202, Method 101  
 Moisture Resistance: MIL-STD-202, Method 106

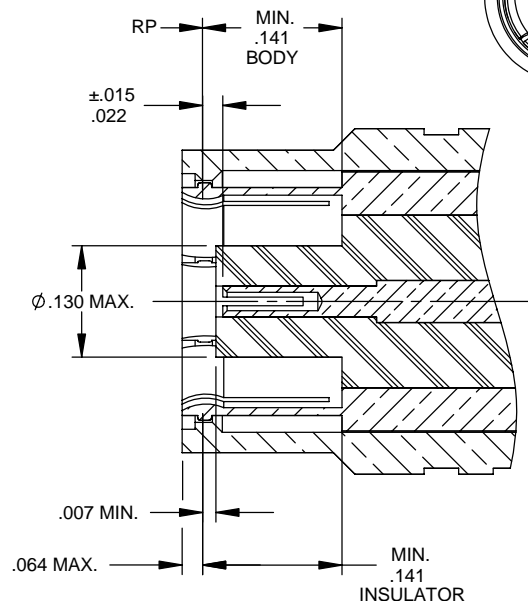
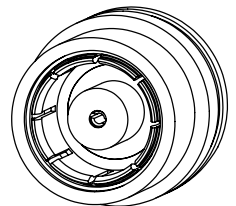
### DESIGN IN ACCORDANCE WITH

US MIL-PRF-39012, MIL-STD-348  
 CECC: 122 300  
 BS 9210F0022  
 INTELLICONNECT: ES101, ES103

### PLUG INTERFACE (MALE CONTACT)



### JACK INTERFACE (FEMALE CONTACT)



\*These specifications are typical and may not apply to all connectors. Please contact the factory for detailed specifications for individual connectors. For clarity, interface illustrations are not drawn to scale. All dimensions are in inches. Interface dimensions are designed per documents above.