

GENERAL DESCRIPTION

This medium, light weight size connector series has a weatherproof bayonet locking mechanism. This series is used with small and medium size cables. The BNC series also accommodates various PCB, flange and bulkhead configurations. They are generally used in applications below 4 Ghz. These connectors are available in both standard designs and "hard to find" older U/G designs.

MATERIALS

Bodies & Other Parts: Brass per ASTM B16 or equivalent.
 Female Contacts: Beryllium Copper per ASTM B196 or equivalent.
 Male Contacts: Brass per ASTM B16 or equivalent.
 Insulators (Dielectric): PTFE Fluorocarbon per ASTM D1710 or equivalent.
 Gaskets: Silicone rubber per ZZ-R-765, Class II, Grade 50.

ELECTRICAL

Impedance: 50 Ohms Nominal
 Frequency Range: DC-4 GHz
 Insulation Resistance: 5,000 Megohms min.
 Voltage Rating: 500 VRMS
 Dielectric Withstanding: 1,500 VRMS at sea level
 Voltage Standing Wave Ratio (VSWR): 1.30 max.
 Contact Resistance:
 Outer Contact: 0.2 Milliohms
 Center Contact: 1.5 Milliohms

ENVIRONMENTAL

Temperature rating: -65°C to +165°C
 Vibration: MIL-STD-202, Method 204
 Shock: MIL-STD-202, Method 213
 Thermal Shock: MIL-STD-202, Method 107
 Corrosion (Salt Spray): MIL-STD-202, Method 101
 Moisture Resistance: MIL-STD-202, Method 106

PLATING OPTIONS

Gold: Per MIL-G-45204, Type II, Grade C
 Nickel: Per QQ-N-290, Class II
 Silver: Per QQ-S-365, Type II, Grade A

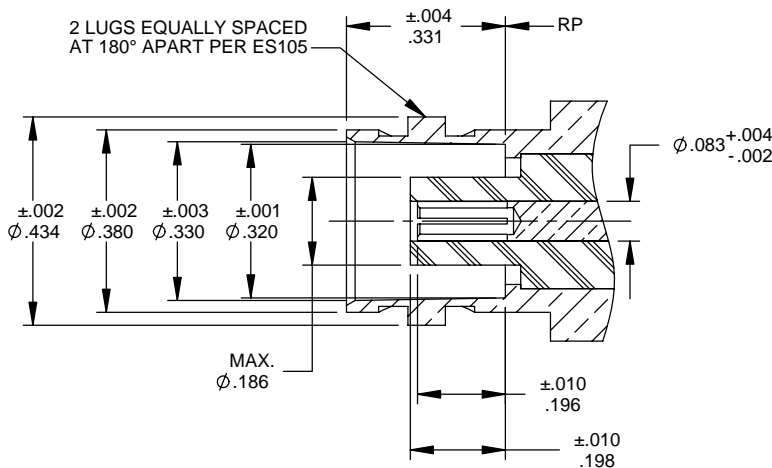
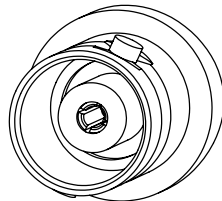
MECHANICAL

Force to Engage and Disengage:
 Longitudinal force: 3 lbs. max.
 Torque: 2 1/2 in.- lbs. max.
 Coupling Sleeve Retention Force: 100 lbs. min.
 Mating Cycles: 500 min.

DESIGN IN ACCORDANCE WITH

US MIL-PRF-39012, MIL-STD-348
 CECC: 22 120
 IEC: 169-8
 VG 95200
 INTELLICONNECT: ES101, ES103, ES105

JACK INTERFACE
(FEMALE CONTACT)



PLUG INTERFACE
(MALE CONTACT)

