

THIS DOCUMENT IS THE PROPERTY OF INTELLICONNECT. THE DESIGN AND SPECIFICATIONS DISCLOSED HEREON ARE PROPRIETARY AND SHALL NOT BE REPRODUCED, COPIED NOR USED FOR MANUFACTURE OR SALE OF DEVICES WITHOUT EXPRESSED WRITTEN AUTHORIZATION.

PART NO.
0124-P1CH-000-102Z

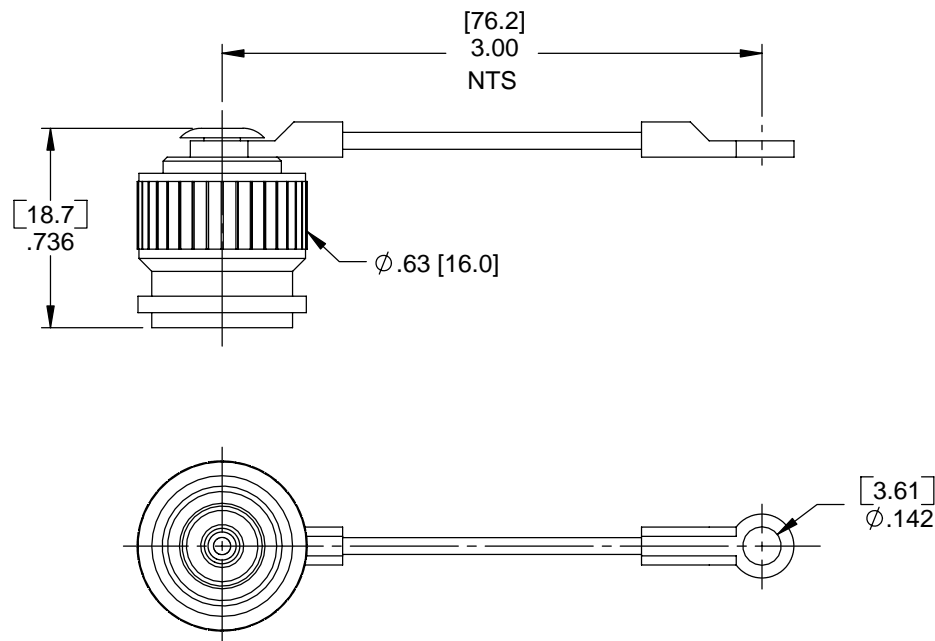
MATERIAL/FINISH PROPERTIES

MATERIAL PROPERTIES:
 BODY: BRASS PER ASTM B16 OR EQUIVALENT
 GASKET: SILICONE RUBBER PER A-A-59588 OR EQUIVALENT
 CORD: STRANDED STAINLESS STEEL (ϕ 3/64)
 CORD JACKET: NYLON (ϕ 1/16); COLOR: BLACK

PLATING PROPERTIES:
 BODY: .000200 MIN. MATTE, NON-REFLECTIVE, BLACK ZINC

MECHANICAL/ELECTRICAL PROPERTIES

CONNECTOR MEETS: MIL-STD-348 FIG. 313-1, MIL-PRF-39012
 ASSEMBLY MEETS: RoHS 2002/95/EC STANDARDS
 CONNECTOR DURABILITY: 500 CYCLES MIN.
 IMPEDANCE: N/A
 FREQUENCY RANGE: N/A
 VOLTAGE RATING: N/A
 INSULATION RESISTANCE: N/A



IntelliConnect

TITLE: TNC DUST CAP PLUG WITH CORD

MATERIAL & FINISH: PER TABLE ABOVE

UNLESS OTHERWISE SPECIFIED

ALL DIMENSIONS ARE REFERENCE
 X.XXX DIM'S = INCHES * [X.XX] DIM'S = MILLIMETERS
 SURFACE FINISH: 63 MICRO MAX.
 ALL DIAMETERS TO BE CONCENTRIC WITHIN .005 F.I.M.

DRAWN BY: SRS DATE: 03/02/10	CHECK BY: PCS DATE: 03/02/10	APPR. BY: TLB DATE: 03/02/10
CAGE CODE NO: 5N5S5	SCALE: 1:2	SIZE: A
SALES DRAWING	PART NO. 0124-P1CH-000-102Z	SHEET 1 OF 1

A	NPR 652U	TLB	03/02/10
REV	DESCRIPTION	APPR	DATE