

**MATERIAL/FINISH PROPERTIES**

**MATERIAL PROPERTIES:**

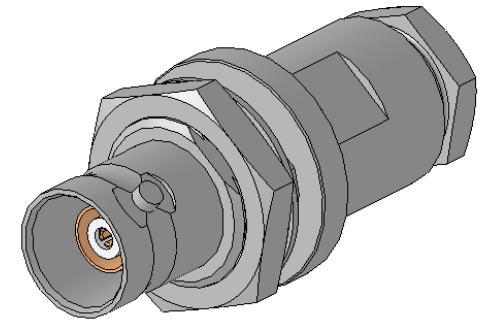
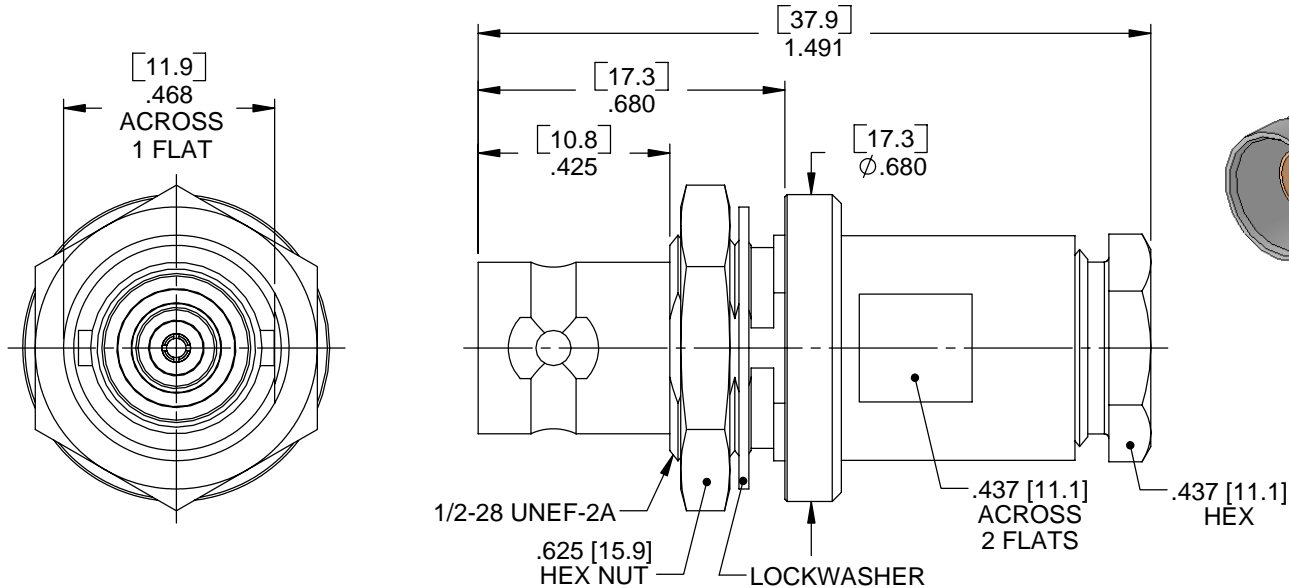
BODY: BRASS PER ASTM B16 OR EQUIVALENT  
 CENTER CONTACT: BERYLLIUM COPPER PER ASTM B196 OR EQUIVALENT  
 INTERMEDIATE CONTACT: BRASS PER ASTM B16 OR EQUIVALENT  
 INSULATORS: PTFE PER ASTM D1710 OR EQUIVALENT  
 GASKETS: SILICONE RUBBER PER AA59588 OR EQUIVALENT

**PLATING PROPERTIES:**

BODY: .000100 MIN. NICKEL PER QQ-N-290  
 CONTACT: .000030 MIN. GOLD PER MIL-G-45204 OVER  
 .000050 MIN. NICKEL PER QQ-N-290

**MECHANICAL/ELECTRICAL PROPERTIES**

CONNECTOR MEETS: MIL-STD-348 FIG. 201-2, MIL-PRF-39012  
 CONNECTOR MEETS: RoHS 2002/95/EC STANDARDS  
 CONNECTOR DURABILITY: 500 CYCLES MIN.  
 MOUNTING: PER ES117-BK350  
 PANEL THICKNESS: .125 [3.2] MAX.  
 CABLE: TRIAX, CABLE GROUP 18, PER ES102  
 ASSEMBLY INSTRUCTIONS: AI402  
 IMPEDANCE: NON CONSTANT  
 VOLTAGE RATING: 400 VRMS  
 INSULATION RESISTANCE: 5,000 MEGOHMS  
 DIELECTRIC WITHSTANDING VOLTAGE: 1,200 VRMS



# IntelliConnect

**UNLESS OTHERWISE SPECIFIED**

ALL DIMENSIONS ARE REFERENCE  
 X.XXX DIM'S = INCHES \* [X.XX] DIM'S = MILLIMETERS  
 SURFACE FINISH: 63 MICRO MAX.  
 ALL DIAMETERS TO BE CONCENTRIC WITHIN .005 F.I.M.

**TITLE:** TRB STRAIGHT BULKHEAD MOUNT CABLE U/G CLAMP JACK

**MATERIAL & FINISH:** PER TABLE ABOVE

<b>DRAWN BY:</b> SRS	<b>CHECK BY:</b> PCS	<b>APPR. BY:</b> TLB
<b>DATE:</b> 03/13/12	<b>DATE:</b> 03/13/12	<b>DATE:</b> 03/13/12
<b>CAGE CODE NO:</b> 5N5S5	<b>SCALE:</b> 2.5:1	<b>SIZE:</b> A
<b>SALES DRAWING</b>	<b>PART NO.</b> 0131-J1BK-418-100N	<b>SHEET</b> 1 OF 1

B	ECN 1360	TLB	03/27/12
A	NPR 831E	TLB	03/13/12
<b>REV</b>	<b>DESCRIPTION</b>	<b>APPR</b>	<b>DATE</b>