

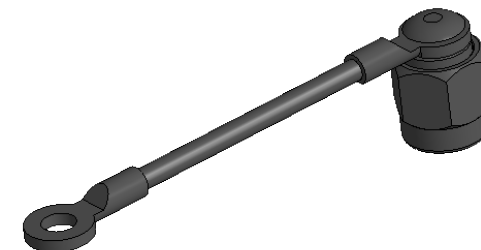
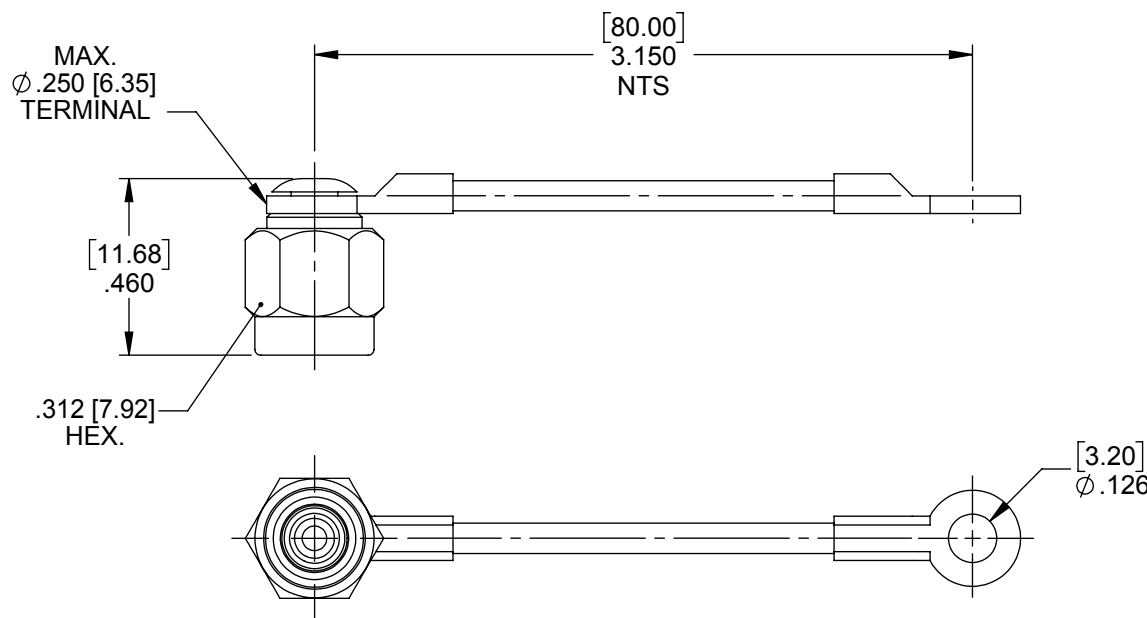
MATERIAL/FINISH PROPERTIES

MATERIAL PROPERTIES:
 BODY: BRASS PER ASTM B16 OR EQUIVALENT
 SLEEVE: STAINLESS STEEL PER ASTM A582 OR EQUIVALENT
 GASKET: SILICONE RUBBER PER A-A-59588 OR EQUIVALENT
 CORD: STRANDED STAINLESS STEEL (3/64) WITH
 NYLON JACKET (1/16); COLOR: BLACK

PLATING PROPERTIES:
 METAL PARTS: .000200 MIN. MATTE, NON-REFLECTIVE, BLACK ZINC

MECHANICAL/ELECTRICAL PROPERTIES

CONNECTOR MEETS: MIL-STD-348 FIG. 310-1, MIL-PRF-39012
 ASSEMBLY MEETS: RoHS 2002/95/EC STANDARDS
 CONNECTOR DURABILITY: 250 CYCLES MIN.
 IMPEDANCE: N/A
 FREQUENCY RANGE: N/A
 VOLTAGE RATING: N/A
 INSULATION RESISTANCE: N/A



IntelliConnect

TITLE: SMA DUST CAP PLUG WITH CORD

MATERIAL & FINISH: PER TABLE ABOVE

UNLESS OTHERWISE SPECIFIED

ALL DIMENSIONS ARE REFERENCE
 X.XXX DIM'S = INCHES * [X.XX] DIM'S = MILLIMETERS
 SURFACE FINISH: 63 MICRO MAX.
 ALL DIAMETERS TO BE CONCENTRIC WITHIN .005 F.I.M.

DRAWN BY: MS	CHECK BY: NB	APPR. BY: REP
DATE: 10/31/16	DATE: 10/31/16	DATE: 10/31/16

CAGE CODE NO: 5N5S5	SCALE 2:1	SIZE A	REV 1
----------------------------	---------------------	------------------	-----------------

SALES DRAWING	PART NO. 0140-P1CH-000-104Z	SHEET 1 OF 1
----------------------	---------------------------------------	------------------------

1	NPR 1313E	REP	10/31/16
REV	DESCRIPTION	APPR	DATE