

THIS DOCUMENT IS THE PROPERTY OF INTELLICONNECT. THE DESIGN AND SPECIFICATIONS DISCLOSED HEREON ARE PROPRIETARY AND SHALL NOT BE REPRODUCED, COPIED NOR USED FOR MANUFACTURE OR SALE OF DEVICES WITHOUT EXPRESSED WRITTEN AUTHORIZATION.

**PART NO.**  
5124-P1NN-315-100Z

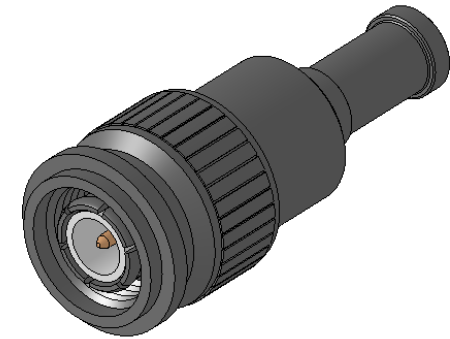
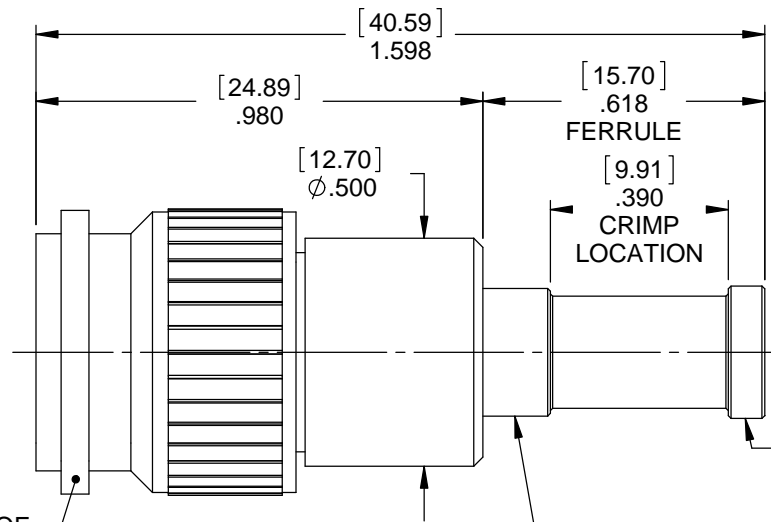
**MATERIAL/FINISH PROPERTIES**

**MATERIAL PROPERTIES:**  
 BODY: BRASS PER ASTM B16 OR EQUIVALENT  
 INTERFACE CONTACT: BERYLLIUM COPPER PER ASTM B196 OR EQUIVALENT  
 CABLE CONTACT: BRASS PER ASTM B16 OR EQUIVALENT  
 INSULATORS: PTFE PER ASTM D1710 OR EQUIVALENT  
 GASKETS: SILICONE RUBBER PER AA59588 OR EQUIVALENT

**PLATING PROPERTIES:**  
 BODY: .000200 MIN. MATTE, NON-REFLECTIVE, BLACK ZINC  
 CONTACT: .000030 MIN. GOLD PER MIL-G-45204 OVER  
 .000050 MIN. NICKEL PER QQ-N-290

**MECHANICAL/ELECTRICAL PROPERTIES**

CONNECTOR MEETS: MIL-STD-348 FIG. 313-1, MIL-PRF-39012  
 CONNECTOR MEETS: RoHS 2002/95/EC STANDARDS  
 CONNECTOR DURABILITY: 500 CYCLES MIN.  
 CABLE: LMR 200 OR EQUIVALENT  
 ASSEMBLY INSTRUCTIONS: AI224  
 IMPEDANCE: 50 OHMS NOMINAL  
 FREQUENCY RANGE: DC-11 GHZ  
 VOLTAGE RATING: 500 VRMS  
 INSULATION RESISTANCE: 5,000 MEGOHMS  
 DIELECTRIC WITHSTANDING VOLTAGE: 1,500 VRMS



CONNECTOR WATERPROOF TO 10M FOR 4 HOURS IN AN UNMATED CONDITION.

BACK END OF CRIMP FERRULE TO BE SEALED TO CABLE WITH EPOXY (RECOMMENDED SUPPLIER AND APPLICATION INFORMATION PER ES146) OR SILICONE DURING THE CABLE ASSEMBLY PROCESS.

FRONT END OF CRIMP FERRULE TO BE SEALED TO BODY WITH AN O-RING DURING FERRULE INSTALLATION OF THE CABLE ASSEMBLY PROCESS.

E	ECN 1428	TLB	11/13/13
D	ECN 1420	TLB	09/05/13
C	ECN 1339	TLB	12/15/11
B	ECN 1180	TLB	08/03/07
A	NPR 467	TLB	06/18/07
REV	DESCRIPTION	APPR	DATE

**IntelliConnect**

**UNLESS OTHERWISE SPECIFIED**  
 ALL DIMENSIONS ARE REFERENCE  
 X.XXX DIM'S = INCHES \* [X.XX] DIM'S = MILLIMETERS  
 SURFACE FINISH: 63 MICRO MAX.  
 ALL DIAMETERS TO BE CONCENTRIC WITHIN .005 F.I.M.

**TITLE:** TNC SEALED STRAIGHT CABLED PLUG

**MATERIAL & FINISH:** PER TABLE ABOVE

<b>DRAWN BY:</b> SRS <b>DATE:</b> 05/15/07	<b>CHECK BY:</b> PCS <b>DATE:</b> 05/15/07	<b>APPR. BY:</b> TLB <b>DATE:</b> 05/15/07
<b>CAGE CODE NO:</b> 5N5S5	<b>SCALE:</b> 2.5:1	<b>SIZE:</b> A
<b>SALES DRAWING</b>	<b>PART NO.</b> 5124-P1NN-315-100Z	<b>SHEET</b> 1 OF 1