

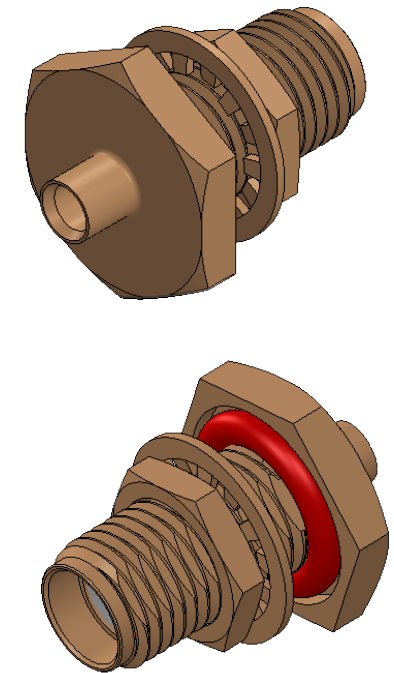
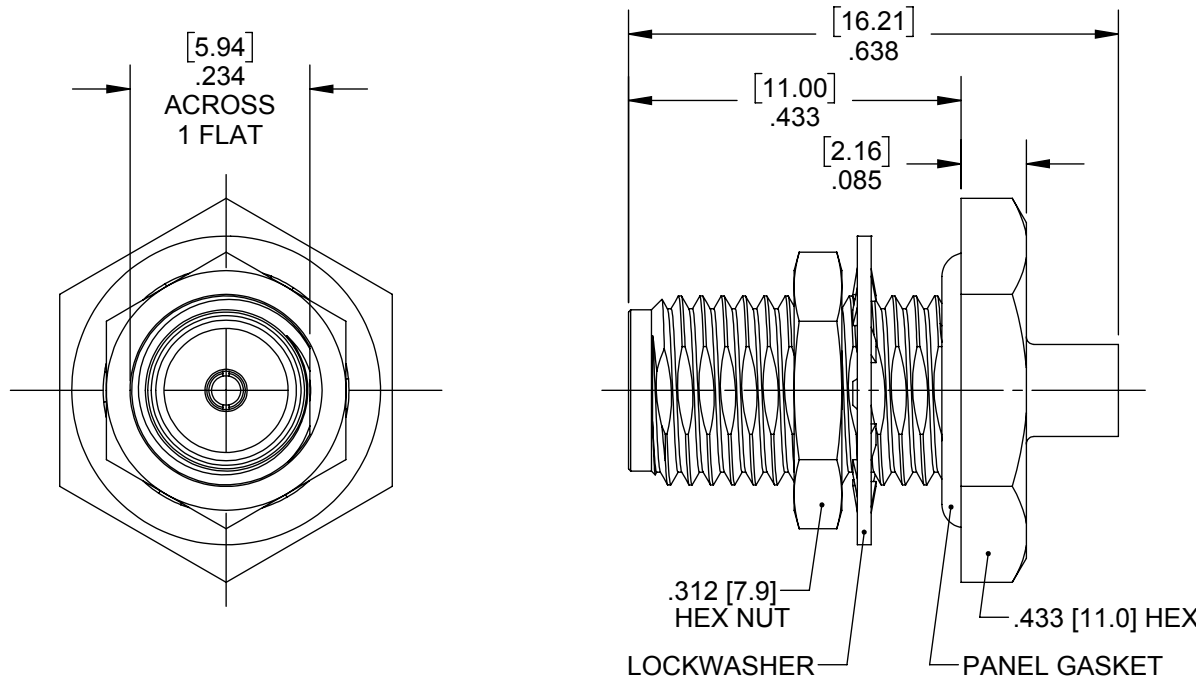
MATERIAL/FINISH PROPERTIES

MATERIAL PROPERTIES:
 BODY: STAINLESS STEEL PER ASTM A582 OR EQUIVALENT
 CONTACT: BERYLLIUM COPPER PER ASTM B196 OR EQUIVALENT
 INSULATOR: PTFE PER ASTM D1710 OR EQUIVALENT
 GASKET: SILICONE RUBBER PER AA59588 OR EQUIVALENT
 HEX NUT: BRASS PER ASTM B16 OR EQUIVALENT
 LOCKWASHER: PHOSPHOR BRONZE PER QQ-B-750 OR EQUIVALENT

PLATING PROPERTIES:
 BODY: .000010 MIN. GOLD PER MIL-G-45204 OVER
 .000050 MIN. NICKEL PER QQ-N-290
 CONTACT: .000030 MIN. GOLD PER MIL-G-45204 OVER
 .000050 MIN. NICKEL PER QQ-N-290

MECHANICAL/ELECTRICAL PROPERTIES

CONNECTOR MEETS: MIL-STD-348 FIG. 310-2, MIL-PRF-39012
 CONNECTOR MEETS: RoHS 2002/95/EC STANDARDS
 CONNECTOR DURABILITY: 500 CYCLES MIN.
 MOUNTING: PER ES117-BK300
 PANEL THICKNESS: .095 [2.4] MAX.
 CABLE: RG405 OR EQUIVALENT
 ASSEMBLY INSTRUCTIONS: A1517
 IMPEDANCE: 50 OHMS NOMINAL
 FREQUENCY RANGE: DC-18 GHz
 VOLTAGE RATING: 335 VRMS
 INSULATION RESISTANCE: 5,000 MEGOHMS



IntelliConnect

UNLESS OTHERWISE SPECIFIED

ALL DIMENSIONS ARE REFERENCE
 X.XXX DIM'S = INCHES * [X.XX] DIM'S = MILLIMETERS
 SURFACE FINISH: 63 MICRO MAX.
 ALL DIAMETERS TO BE CONCENTRIC WITHIN .005 F.I.M.

TITLE: SMA CABLED BULKHEAD JACK

MATERIAL & FINISH: PER TABLE ABOVE

DRAWN BY: MS	CHECK BY: REP	APPR. BY: TLB
DATE: 04/05/16	DATE: 04/05/16	DATE: 04/05/16

CAGE CODE NO: 5N5S5	SCALE: 4:1	SIZE: A	REV: A
----------------------------	-------------------	----------------	---------------

SALES DRAWING	PART NO. 5139-J1BK-103-102G	SHEET 1 OF 1
----------------------	---------------------------------------	------------------------

A	NPR 1069E	TLB	04/05/16
REV	DESCRIPTION	APPR	DATE