

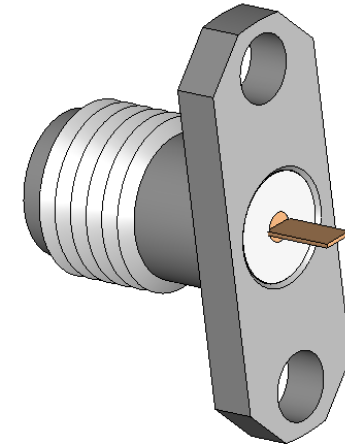
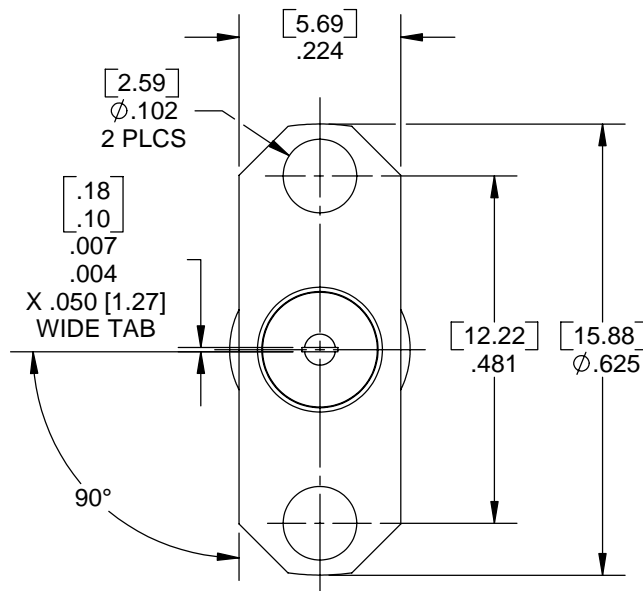
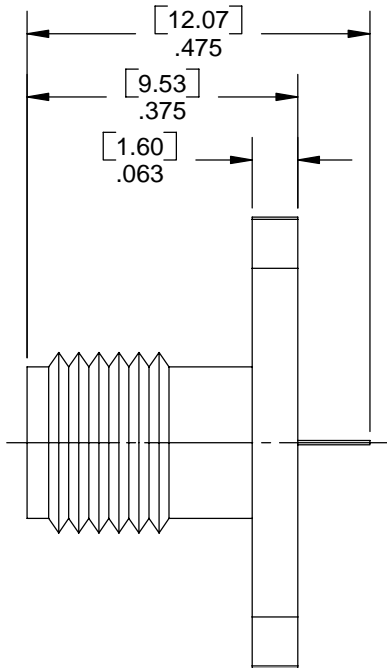
**MATERIAL/FINISH PROPERTIES**

**MATERIAL PROPERTIES:**  
 BODY: STAINLESS STEEL PER ASTM A582 OR EQUIVALENT  
 CONTACT: BERYLLIUM COPPER PER ASTM B196 OR EQUIVALENT  
 INSULATOR: PTFE PER ASTM D1710 OR EQUIVALENT

**PLATING PROPERTIES:**  
 BODY: PASSIVATE PER QQ-P-35, TYPE II  
 CONTACT: .000030 MIN. GOLD PER MIL-G-45204 OVER  
 .000050 MIN. NICKEL PER QQ-N-290

**MECHANICAL/ELECTRICAL PROPERTIES**

CONNECTOR MEETS: MIL-STD-348 FIG. 310-2, MIL-PRF-39012  
 CONNECTOR MEETS: RoHS 2002/95/EC STANDARDS  
 CONNECTOR DURABILITY: 500 CYCLES MIN.  
 MOUNTING: PER ES117-FL440  
 IMPEDANCE: 50 OHMS NOMINAL  
 FREQUENCY RANGE: DC-18 GHz  
 VOLTAGE RATING: 335 VRMS  
 INSULATION RESISTANCE: 5,000 MEGOHMS  
 DIELECTRIC WITHSTANDING VOLTAGE: 1,500 VRMS



**IntelliConnect**

**TITLE:** SMA 2 HOLE FLANGE MOUNT TAB CONTACT JACK

**MATERIAL & FINISH:** PER TABLE ABOVE

**UNLESS OTHERWISE SPECIFIED**  
 ALL DIMENSIONS ARE REFERENCE  
 X.XXX DIM'S = INCHES \* [X.XX] DIM'S = MILLIMETERS  
 SURFACE FINISH: 63 MICRO MAX.  
 ALL DIAMETERS TO BE CONCENTRIC WITHIN .005 F.I.M.

<b>DRAWN BY:</b> TLB	<b>CHECK BY:</b> PCS	<b>APPR. BY:</b> JAK
<b>DATE:</b> 05/09/00	<b>DATE:</b> 05/09/00	<b>DATE:</b> 05/09/00
<b>CAGE CODE NO:</b> 5N5S5	<b>SCALE:</b> 4:1	<b>SIZE:</b> A
<b>SALES DRAWING</b>	<b>PART NO.</b> 5139-J1FL-000-100P	<b>REV</b> C
		<b>SHEET</b> 1 OF 1

REV	DESCRIPTION	APPR	DATE
C	ECN 1152	TLB	12/01/06
B	ECN 1119	TLB	02/22/06
A	NPR 401	TLB	02/03/06