

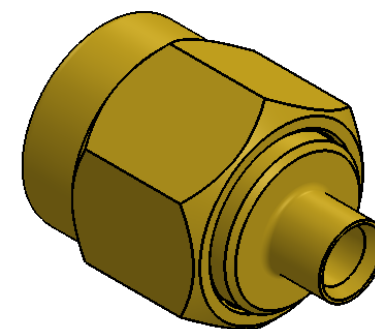
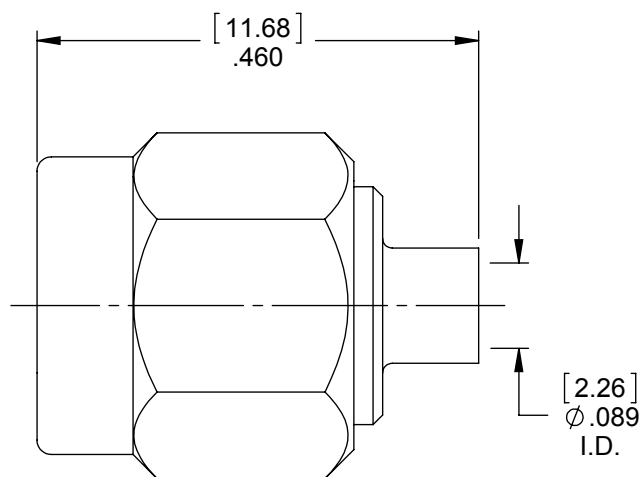
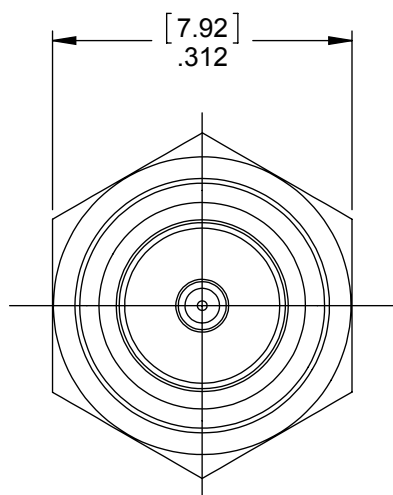
MATERIAL/FINISH PROPERTIES

MATERIAL PROPERTIES:
 BODY: STAINLESS STEEL PER ASTM A582 OR EQUIVALENT
 CONTACT: BRASS PER ASTM B16 OR EQUIVALENT
 INSULATOR: PTFE PER ASTM D1710 OR EQUIVALENT

PLATING PROPERTIES:
 MAIN BODY: .000003 MIN. GOLD FLASH PER ASTM B488 OVER
 .000050 MIN. NICKEL PER QQ-N-290
 SOLDER BODY: .000010 MIN. GOLD PER MIL-G-45204 OVER
 .000050 MIN. NICKEL PER QQ-N-290
 CONTACT: .000030 MIN. GOLD PER MIL-G-45204 OVER
 .000050 MIN. NICKEL PER QQ-N-290

MECHANICAL/ELECTRICAL PROPERTIES

CONNECTOR MEETS: MIL-STD-348 FIG. 310-1, MIL-PRF-39012
 CONNECTOR MEETS: RoHS 2002/95/EC STANDARDS
 CONNECTOR DURABILITY: 250 CYCLES MIN.
 CABLE: RG405 (.086 S/R)
 IMPEDANCE: 50 OHMS NOMINAL
 FREQUENCY RANGE: DC-18 GHz
 VOLTAGE RATING: 335 VRMS
 INSULATION RESISTANCE: 5,000 MEGOHMS
 DIELECTRIC WITHSTANDING VOLTAGE: 1,500 VRMS



IntelliConnect

TITLE: SMA STRAIGHT CABLED PLUG

MATERIAL & FINISH: PER TABLE ABOVE

C	ECN 1490	MS	05/06/15
B	ECN 1485	MS	04/10/15
A	NPR 1045E	REP	11/27/14
REV	DESCRIPTION	APPR	DATE

UNLESS OTHERWISE SPECIFIED
 ALL DIMENSIONS ARE REFERENCE
 X.XXX DIM'S = INCHES * [X.XX] DIM'S = MILLIMETERS
 SURFACE FINISH: 63 MICRO MAX.
 ALL DIAMETERS TO BE CONCENTRIC WITHIN .005 F.I.M.

DRAWN BY: MS	CHECK BY: GHM	APPR. BY: REP
DATE: 11/27/14	DATE: 11/27/14	DATE: 11/27/14
CAGE CODE NO: 5N5S5	SCALE: 5:1	SIZE: A
SALES DRAWING	PART NO. 5139-P1NN-103-102G	SHEET 1 OF 1