

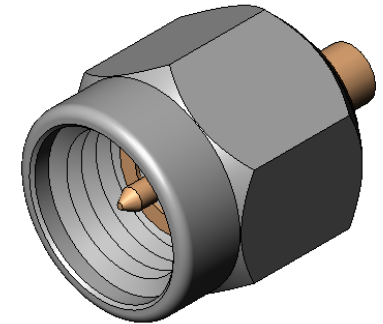
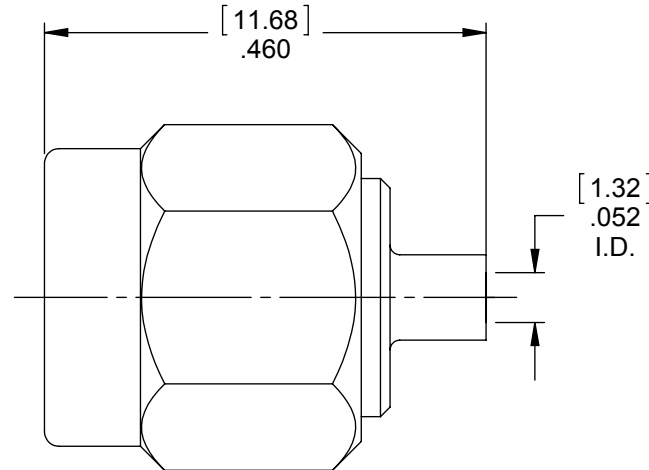
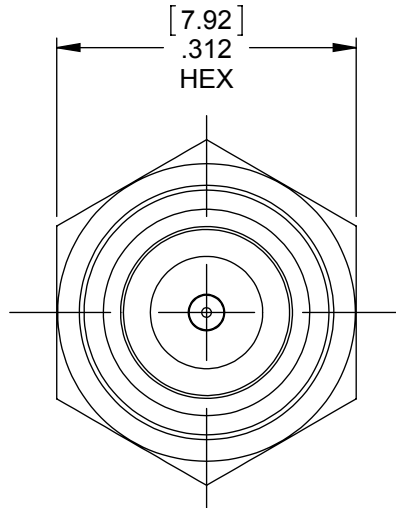
**MATERIAL/FINISH PROPERTIES**

**MATERIAL PROPERTIES:**  
 BODY: STAINLESS STEEL PER ASTM A582 OR EQUIVALENT  
 CONTACT: BRASS PER ASTM B16 OR EQUIVALENT  
 INSULATOR: PTFE PER ASTM D1710 OR EQUIVALENT

**PLATING PROPERTIES:**  
 MAIN BODY: PASSIVATE PER QQ-P-35, TYPE II  
 SOLDER BODY: .000010 MIN. GOLD PER MIL-G-45204 OVER  
 .000050 MIN. NICKEL PER QQ-N-290  
 CONTACT: .000030 MIN. GOLD PER MIL-G-45204 OVER  
 .000050 MIN. NICKEL PER QQ-N-290

**MECHANICAL/ELECTRICAL PROPERTIES**

CONNECTOR MEETS: MIL-STD-348 FIG. 310-1, MIL-PRF-39012  
 CONNECTOR MEETS: RoHS 2002/95/EC STANDARDS  
 CONNECTOR DURABILITY: 250 CYCLES MIN.  
 CABLE: M17/151 (.047 S/R) OR EQUIVALENT  
 IMPEDANCE: 50 OHMS NOMINAL  
 FREQUENCY RANGE: DC-18 GHz  
 VOLTAGE RATING: 335 VRMS  
 INSULATION RESISTANCE: 5,000 MEGOHMS  
 DIELECTRIC WITHSTANDING VOLTAGE: 1,500 VRMS



# IntelliConnect

**TITLE:** SMA STRAIGHT CABLED PLUG

**MATERIAL & FINISH:** PER TABLE ABOVE

**UNLESS OTHERWISE SPECIFIED**  
 ALL DIMENSIONS ARE REFERENCE  
 X.XXX DIM'S = INCHES \* [X.XX] DIM'S = MILLIMETERS  
 SURFACE FINISH: 63 MICRO MAX.  
 ALL DIAMETERS TO BE CONCENTRIC WITHIN .005 F.I.M.

<b>DRAWN BY:</b> MS	<b>CHECK BY:</b> GHM	<b>APPR. BY:</b> REP
<b>DATE:</b> 02/05/16	<b>DATE:</b> 02/05/16	<b>DATE:</b> 02/05/16

<b>CAGE CODE NO:</b> 5N5S5	<b>SCALE:</b> 5:1	<b>SIZE:</b> A	<b>REV:</b> A
----------------------------	-------------------	----------------	---------------

<b>SALES DRAWING</b>	<b>PART NO.</b> 5139-P1NN-111-100P	<b>SHEET</b> 1 OF 1
----------------------	---------------------------------------	------------------------

A	NPR 1238E	REP	02/05/16
REV	DESCRIPTION	APPR	DATE