

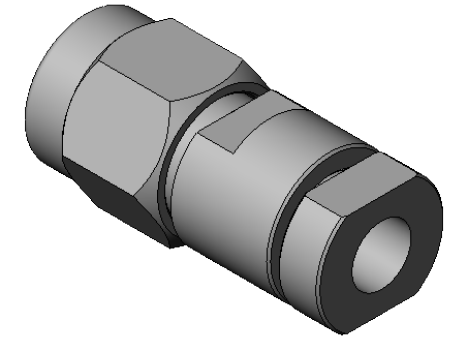
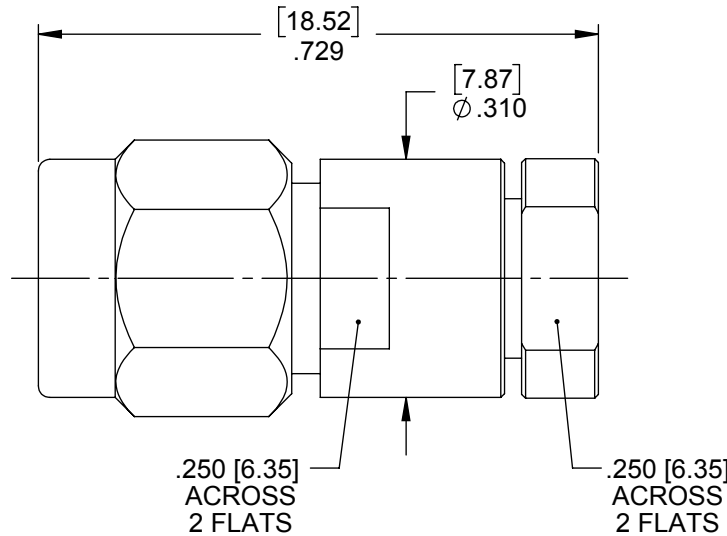
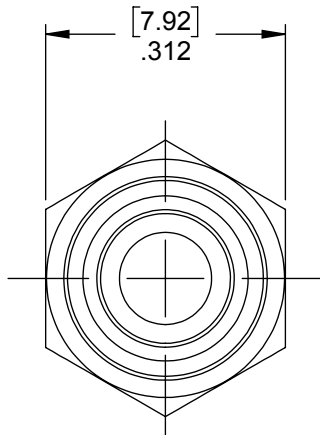
MATERIAL/FINISH PROPERTIES

MATERIAL PROPERTIES:
BODY/SLEEVE/NUT: STAINLESS STEEL PER ASTM A582 OR EQUIVALENT

PLATING PROPERTIES:
BODY/SLEEVE/NUT: PASSIVATE PER QQ-P-35, TYPEII

MECHANICAL/ELECTRICAL PROPERTIES

CONNECTOR MEETS: MIL-STD-348 FIG. 310-1, MIL-PRF-39012
 CONNECTOR MEETS: RoHS 2002/95/EC STANDARDS
 CONNECTOR DURABILITY: 250 CYCLES MIN.
 CABLE: RG402 (.141 S/R)
 IMPEDANCE: 50 OHMS NOMINAL
 FREQUENCY RANGE: DC-18 GHz
 VOLTAGE RATING: 335 VRMS
 INSULATION RESISTANCE: 5,000 MEGOHMS
 DIELECTRIC WITHSTANDING VOLTAGE: 1,500 VRMS



CENTRE CONDUCTOR OF CABLE USED AS CENTRE CONTACT

1	NPR 1313E	TLB	10/12/16
REV	DESCRIPTION	APPR	DATE

IntelliConnect

UNLESS OTHERWISE SPECIFIED
 ALL DIMENSIONS ARE REFERENCE
 X.XXX DIM'S = INCHES * [X.XX] DIM'S = MILLIMETERS
 SURFACE FINISH: 63 MICRO MAX.
 ALL DIAMETERS TO BE CONCENTRIC WITHIN .005 F.I.M.

TITLE: SMA STRAIGHT CABLED SOLDERLESS PLUG

MATERIAL & FINISH: PER TABLE ABOVE

DRAWN BY: MS	CHECK BY: REP	APPR. BY: TLB
DATE: 10/12/16	DATE: 10/12/16	DATE: 10/12/16

CAGE CODE NO: 5N5S5	SCALE 5:1	SIZE A	REV 1
----------------------------	---------------------	------------------	-----------------

SALES DRAWING	PART NO. 5139-P1NN-604-100P	SHEET 1 OF 1
----------------------	---------------------------------------	------------------------