

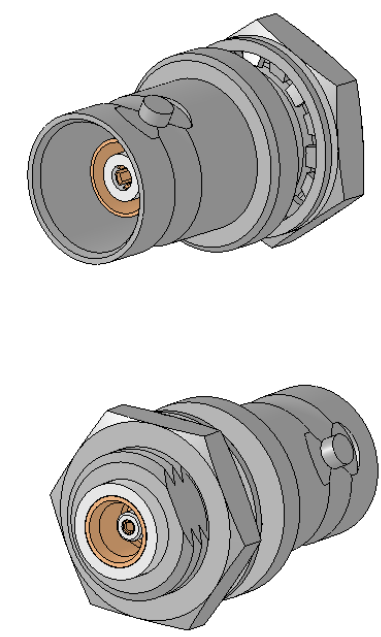
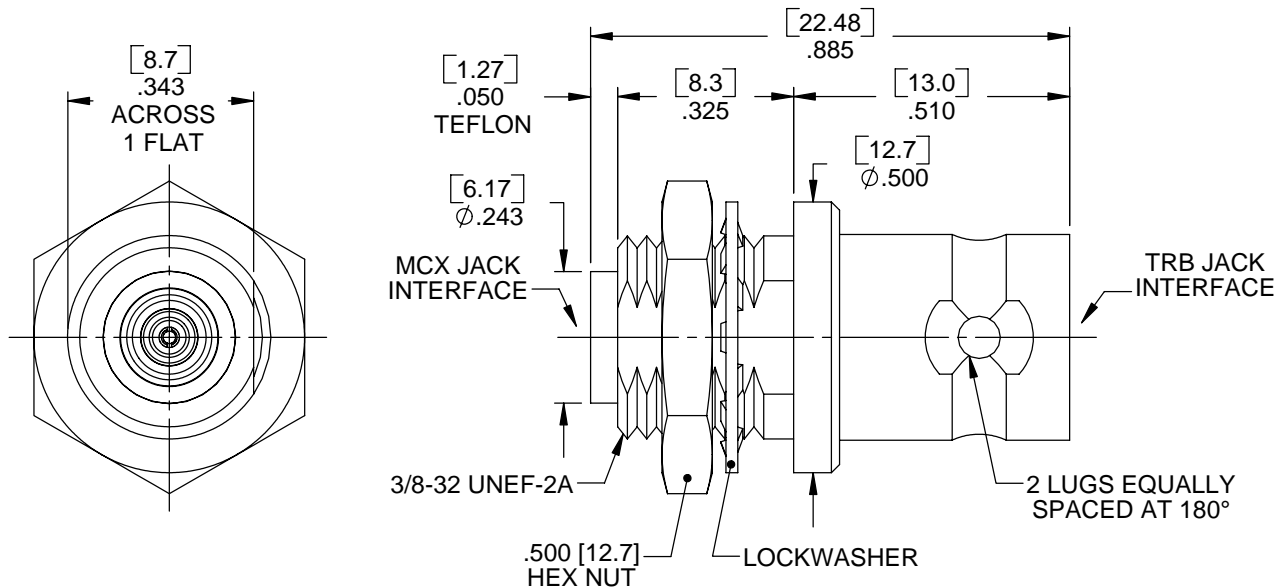
MATERIAL/FINISH PROPERTIES

MATERIAL PROPERTIES:
 BODY: BRASS PER ASTM B16 OR EQUIVALENT
 INTERMEDIATE CONTACT: BRASS PER ASTM B16 OR EQUIVALENT
 CENTER CONTACT: BERYLLIUM COPPER PER ASTM B196 OR EQUIVALENT
 INSULATORS: PTFE PER ASTM D1710 OR EQUIVALENT

PLATING PROPERTIES:
 BODY: .000100 MIN. NICKEL PER QQ-N-290
 INTERMEDIATE CONTACT: .000010 MIN. GOLD PER MIL-G-45204 OVER
 .000050 MIN. NICKEL PER QQ-N-290
 CENTER CONTACT: .000030 MIN. GOLD PER MIL-G-45204 OVER
 .000050 MIN. NICKEL PER QQ-N-290

MECHANICAL/ELECTRICAL PROPERTIES

CONNECTOR MEETS: CECC 22 220, MIL-PRF-39012, MIL-STD-348
 CONNECTOR MEETS: RoHS 2002/95/EC STANDARDS
 CONNECTOR DURABILITY (MCX): 500 CYCLES MIN.
 CONNECTOR DURABILITY (TRB): 500 CYCLES MIN.
 MOUNTING PER: ES117-BK330
 PANEL THICKNESS: .197 [5.0] MAX.
 IMPEDANCE: NON CONSTANT
 FREQUENCY RANGE: DC-4 GHZ
 VOLTAGE RATING: 335 VRMS
 INSULATION RESISTANCE: 1,000 MEGOHMS
 DIELECTRIC WITHSTANDING VOLTAGE: 1,000 VRMS



NOTES: 1. INTERMEDIATE CONDUCTOR OF TRB PASSES THROUGH TO OUTER CONDUCTOR OF MCX. OUTER ADAPTER BODY IS ISOLATED.

IntelliConnect

UNLESS OTHERWISE SPECIFIED

ALL DIMENSIONS ARE REFERENCE
 X.XXX DIM'S = INCHES * [X.XX] DIM'S = MILLIMETERS
 SURFACE FINISH: 63 MICRO MAX.
 ALL DIAMETERS TO BE CONCENTRIC WITHIN .005 F.I.M.

TITLE: TRB JACK TO MCX JACK STRAIGHT BULKHEAD MOUNT ADAPTER WITH ISOLATED OUTER BODY

MATERIAL & FINISH: PER TABLE ABOVE

DRAWN BY: SRS	CHECK BY: PCS	APPR. BY: TLB
DATE: 04/09/09	DATE: 04/09/09	DATE: 04/09/09
CAGE CODE NO: 5N5S5	SCALE: 3:1	SIZE: A
SALES DRAWING	PART NO. A0846-1BK-101N	REV A
		SHEET 1 OF 1

A	NPR 566U	TLB	04/09/09
REV	DESCRIPTION	APPR	DATE