

THIS DOCUMENT IS THE PROPERTY OF INTELLICONNECT. THE DESIGN AND SPECIFICATIONS DISCLOSED HEREON ARE PROPRIETARY AND SHALL NOT BE REPRODUCED, COPIED NOR USED FOR MANUFACTURE OR SALE OF DEVICES WITHOUT EXPRESSED WRITTEN AUTHORIZATION.

PART NO.
A5705-1BK-104N

MATERIAL/FINISH PROPERTIES

MATERIAL PROPERTIES:

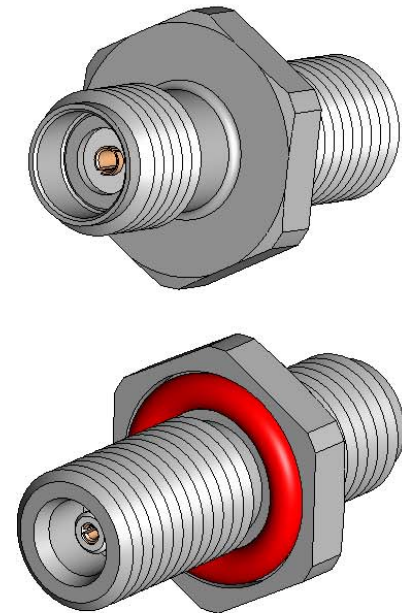
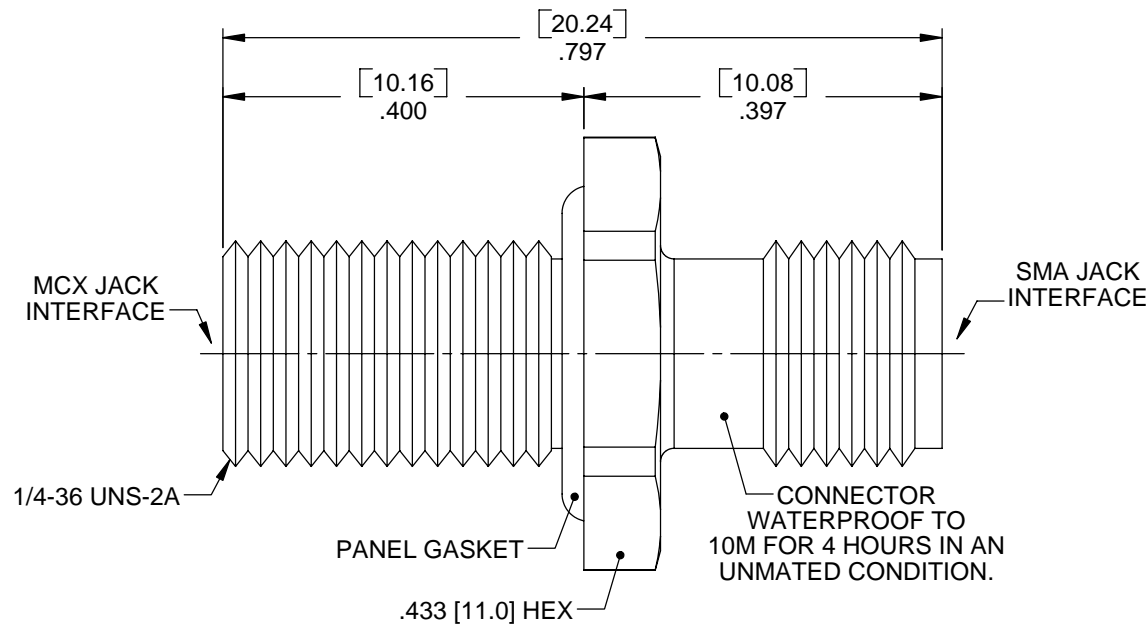
BODY: BRASS PER ASTM B16 OR EQUIVALENT
 CONTACT: BERYLLIUM COPPER PER ASTM B196 OR EQUIVALENT
 INSULATOR: PTFE PER ASTM D1710 OR EQUIVALENT
 O-RINGS: SILICONE RUBBER PER AA59588 OR EQUIVALENT

PLATING PROPERTIES:

BODY: .000100 MIN. NICKEL PER QQ-N-290
 CONTACT: .000030 MIN. GOLD PER MIL-G-45204 OVER
 .000050 MIN. NICKEL PER QQ-N-290

MECHANICAL/ELECTRICAL PROPERTIES

CONNECTOR MEETS: CECC 22 220, MIL-PRF-39012, MIL-STD-348
 CONNECTOR MEETS: RoHS 2002/95/EC STANDARDS
 CONNECTOR DURABILITY (MCX): 500 CYCLES MIN.
 CONNECTOR DURABILITY (SMA): 250 CYCLES MIN.
 MOUNTING PER: ES117-BK575
 PANEL THICKNESS: .394 [10.0] MAX.
 IMPEDANCE: 50 OHMS NOMINAL
 FREQUENCY RANGE: DC-6 GHZ
 VOLTAGE RATING: 335 VRMS
 INSULATION RESISTANCE: 1,000 MEGOHMS
 DIELECTRIC WITHSTANDING VOLTAGE: 1,000 VRMS
 TEMPERATURE RATING: -65°C TO +165°C



IntelliConnect

UNLESS OTHERWISE SPECIFIED
 ALL DIMENSIONS ARE REFERENCE
 X.XXX DIM'S = INCHES * [X.XX] DIM'S = MILLIMETERS
 SURFACE FINISH: 63 MICRO MAX.
 ALL DIAMETERS TO BE CONCENTRIC WITHIN .005 F.I.M.

TITLE: SMA JACK TO MCX JACK SEALED STRAIGHT BULKHEAD MOUNT ADAPTER

MATERIAL & FINISH: PER TABLE ABOVE

DRAWN BY: SRS	CHECK BY: PCS	APPR. BY: TLB
DATE: 11/24/11	DATE: 11/24/11	DATE: 11/24/11

CAGE CODE NO: 5N5S5	SCALE: 5:1	SIZE: A	REV: D
----------------------------	-------------------	----------------	---------------

SALES DRAWING	PART NO. A5705-1BK-104N	SHEET 1 OF 1
----------------------	-----------------------------------	------------------------

REV	DESCRIPTION	APPR	DATE
D	ECN 1359	TLB	03/07/12
C	ECN 1357	TLB	03/06/12
B	ECN 1355	TLB	02/29/12
A	NPR 616E	TLB	01/31/12