

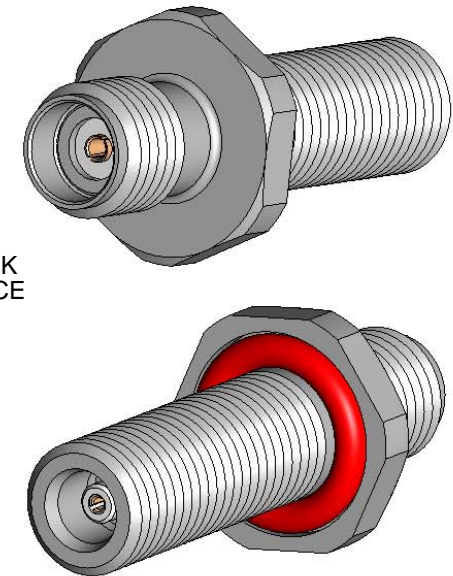
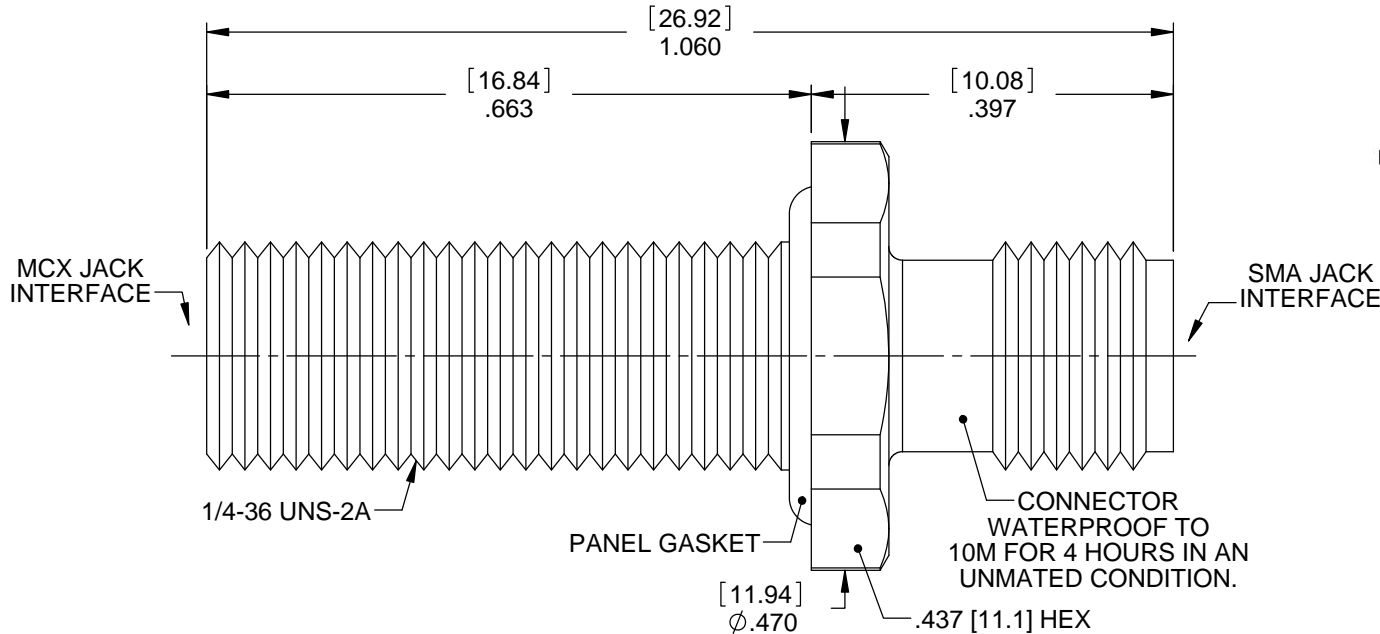
MATERIAL/FINISH PROPERTIES

MATERIAL PROPERTIES:
 BODY: BRASS PER ASTM B16 OR EQUIVALENT
 CONTACT: BERYLLIUM COPPER PER ASTM B196 OR EQUIVALENT
 INSULATOR: PTFE PER ASTM D1710 OR EQUIVALENT
 O-RINGS: SILICONE RUBBER PER AA59588 OR EQUIVALENT

PLATING PROPERTIES:
 BODY: .000100 MIN. NICKEL PER QQ-N-290
 CONTACT: .000030 MIN. GOLD PER MIL-G-45204 OVER
 .000050 MIN. NICKEL PER QQ-N-290

MECHANICAL/ELECTRICAL PROPERTIES

CONNECTOR MEETS: CECC 22 220, MIL-PRF-39012, MIL-STD-348
 CONNECTOR MEETS: RoHS 2002/95/EC STANDARDS
 CONNECTOR DURABILITY (MCX): 500 CYCLES MIN.
 CONNECTOR DURABILITY (SMA): 250 CYCLES MIN.
 MOUNTING PER: ES117-BK575
 PANEL THICKNESS: .650 [16.5] MAX.
 IMPEDANCE: 50 OHMS NOMINAL
 FREQUENCY RANGE: DC-6 GHZ
 VOLTAGE RATING: 335 VRMS
 INSULATION RESISTANCE: 1,000 MEGOHMS
 DIELECTRIC WITHSTANDING VOLTAGE: 1,000 VRMS
 TEMPERATURE RATING: -65°C TO +165°C



IntelliConnect

UNLESS OTHERWISE SPECIFIED
 ALL DIMENSIONS ARE REFERENCE
 X.XXX DIM'S = INCHES * [X.XX] DIM'S = MILLIMETERS
 SURFACE FINISH: 63 MICRO MAX.
 ALL DIAMETERS TO BE CONCENTRIC WITHIN .005 F.I.M.

TITLE: SMA JACK TO MCX JACK SEALED STRAIGHT BULKHEAD MOUNT ADAPTER

MATERIAL & FINISH: PER TABLE ABOVE

DRAWN BY: SRS	CHECK BY: PCS	APPR. BY: TLB
DATE: 12/13/12	DATE: 12/13/12	DATE: 12/13/12
CAGE CODE NO: 5N5S5	SCALE: 5:1	SIZE: A
SALES DRAWING	PART NO. A5705-1BK-108N	REV B
		SHEET 1 OF 1

B	ECN 1429	TLB	11/22/13
A	NPR 808U	TLB	12/21/12
REV	DESCRIPTION	APPR	DATE