

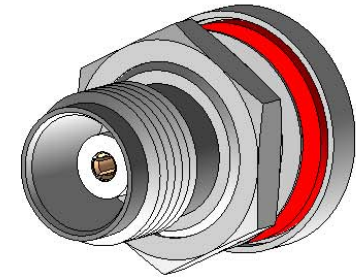
**MATERIAL/FINISH PROPERTIES**

**MATERIAL PROPERTIES:**

- BODY & HEX NUT: BRASS PER ASTM B16 OR EQUIVALENT
- CONTACT: BERYLLIUM COPPER PER ASTM B196 OR EQUIVALENT
- INSULATOR: PTFE PER ASTM D1710 OR EQUIVALENT
- O-RINGS: SILICONE RUBBER PER AA59588 OR EQUIVALENT
- WAVE WASHER: BERYLLIUM COPPER PER ASTM B194 OR EQUIVALENT

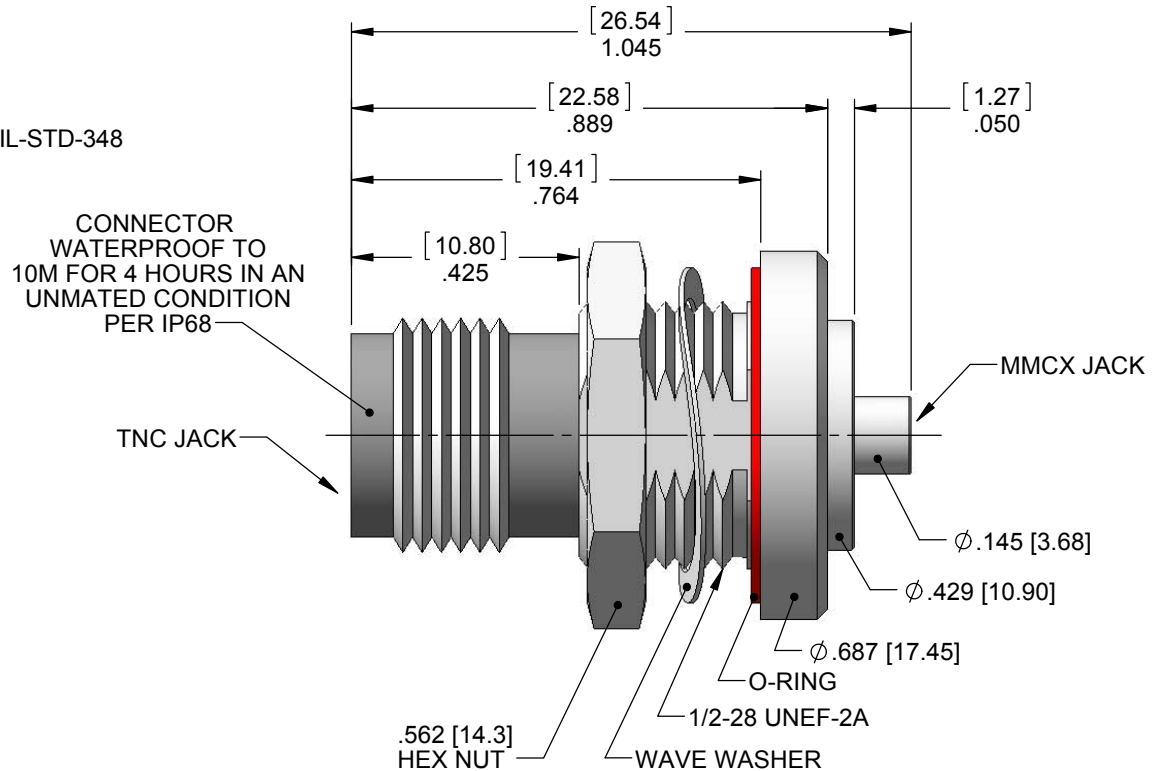
**PLATING PROPERTIES:**

- BODY, HEX NUT & WAVE WASHER: .000100 MIN. NICKEL PER QQ-N-290
- CONTACT: .000030 MIN. GOLD PER MIL-G-45204 OVER
- .000050 MIN. NICKEL PER QQ-N-290



**MECHANICAL/ELECTRICAL PROPERTIES**

- CONNECTOR MEETS: CECC 22 000, MIL-PRF-39012, MIL-STD-348
- CONNECTOR MEETS: RoHS 2002/95/EC STANDARDS
- CONNECTOR DURABILITY (MMCX): 500 CYCLES MIN.
- CONNECTOR DURABILITY (TNC): 500 CYCLES MIN.
- WEIGHT: 9.95g
- MOUNTING: PER ES117-BK350
- PANEL THICKNESS: .125 [3.2] MAX.
- IMPEDANCE: 50 OHMS NOMINAL
- FREQUENCY RANGE: DC-6 GHZ
- VSWR: 1.3+.03 X F(GHz) MAX.
- INSERTION LOSS: .14 √F (GHz) dB MAX.
- RF LEAKAGE: -(50-F(GHz)) dB MAX.
- VOLTAGE RATING: 170 VRMS
- INSULATION RESISTANCE: 1,000 MEGOHMS
- TEMPERATURE RATING: -65°C TO +165°C



E	ECN 1449	REP	03/31/14
D	ECN 1448	REP	03/21/14
C	ECN 1446	REP	03/05/14
B	ECN 1445	REP	03/04/14
A	ECN 1437 - NEW DESIGN	REP	02/05/14
REV	DESCRIPTION	APPR	DATE

**IntelliConnect**

**UNLESS OTHERWISE SPECIFIED**  
 ALL DIMENSIONS ARE REFERENCE  
 X.XXX DIM'S = INCHES \* [X.XX] DIM'S = MILLIMETERS  
 SURFACE FINISH: 63 MICRO MAX.  
 ALL DIAMETERS TO BE CONCENTRIC WITHIN .005 F.I.M.

TITLE: TNC JACK TO MMCX JACK SEALED BULKHEAD ADAPTER

MATERIAL & FINISH: PER TABLE ABOVE

DRAWN BY: TLB	CHECK BY: PCS	APPR. BY: REP
DATE: 02/05/14	DATE: 02/05/14	DATE: 02/05/14

CAGE CODE NO: 5N5S5	SCALE 3:1	SIZE A	REV E
---------------------	-----------	--------	-------

SALES DRAWING	PART NO. A5779-1BK-101N	SHEET 1 OF 1
---------------	-------------------------	--------------