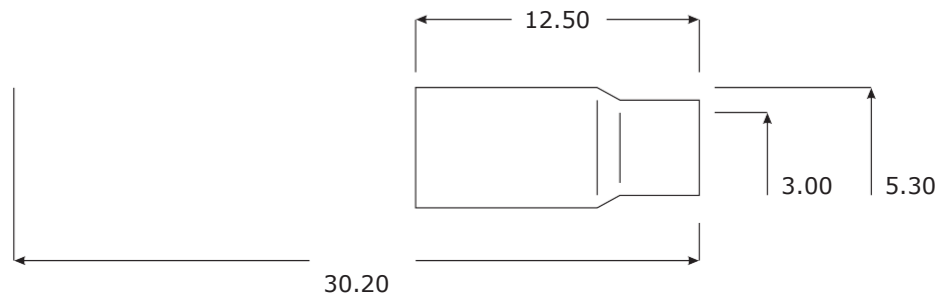
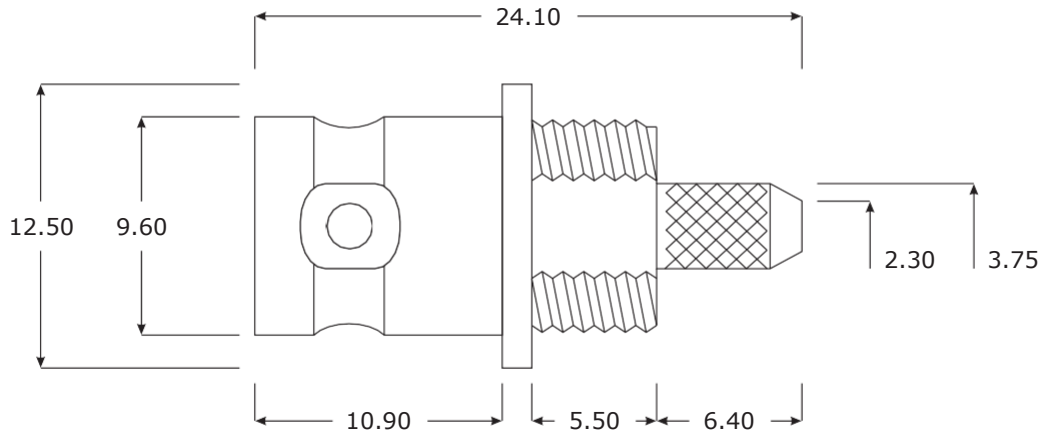
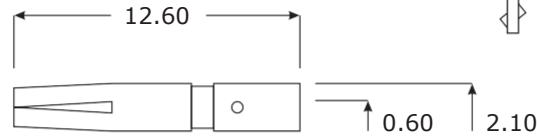
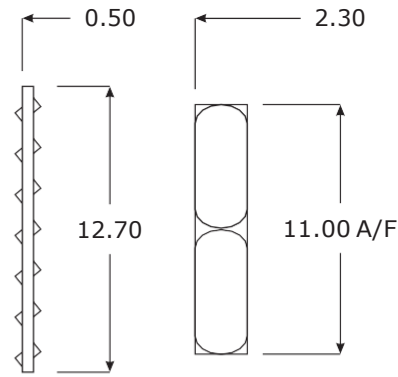


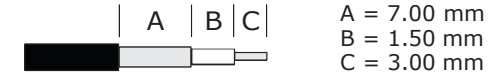
CONNECTOR IS SUPPLIED
C/w SOLDER EARTH TAG
(NOT SHOWN)

Maximum Panel Thickness
With Tag: 1.50mm
With Out Tag: 2.00mm



DESCRIPTION	MATERIAL	FINISH
BODY	BRASS	NICKEL PLATED
INSULATOR	PTFE / TEFLON	N/A
CENTER CONTACT / PIN	BRASS	GOLD PLATED
FERRULE	BRASS	NICKEL PLATED
STAR WASHER	STEEL	NICKEL PLATED
EARTH TAG	STEEL	NICKEL PLATED
NUT	BRASS	NICKEL PLATED

STRIP DIMENSIONS



TERMINATION

CENTRE CONTACT : 1.69mm A/F Crimp Hex

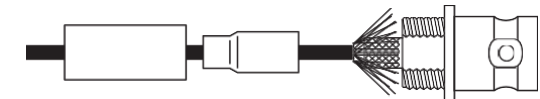
FERRULE : 4.52mm A/F Crimp Hex

COAX CABLE ASSEMBLY

- STRIP CABLE TO THE DIMENSIONS SHOWN ABOVE TAKING CARE NOT TO CUT INTO THE BRAID OR DIELECTRIC BEYOND THE REQUIRED POINTS.
- CAREFULLY PLACE A PIECE OF HEAT SHRINK SLEEVE THEN THE FERRULE OVER THE JACKET OF THE CABLE. CRIMP USING A 1.69mm A/F HEX OR SOLDER THE CONTACT ON TO THE CENTER CONDUCTOR OF THE CABLE MAKING SURE IT IS POSITIONED TIGHT AGAINST THE DIELECTRIC.



- CAREFULLY FAN THE BRAID OUTWARDS SO THAT WHEN THE SUB ASSEMBLY IS INSERTED INTO THE CONNECTOR BODY AND CENTER CONTACT IS CORRECTLY SEATED IN POSITION ALL THE BRAID LAYS EXTERNAL TO THE CONNECTOR.



- FINALLY SLIDE THE FERRULE DOWN CABLE AND OVER THE BRAID MAKING SURE IT SITS TIGHT AGAINST THE CONNECTOR BODY THEN CRIMP USING A 4.52MM A/F HEX, SLIDE HEAT SHRINK INTO PLACE AND SHRINK.



ISSUE:	A	TITLE:	BNC Panel Mount Crimp Jack Cable Group - RG174
DIM:	mm		
SCALE:	3 / 1		
PAGE:	1 OF 1	PART No:	B5128-J1BK-301-100N
DATE:	11/11/09		